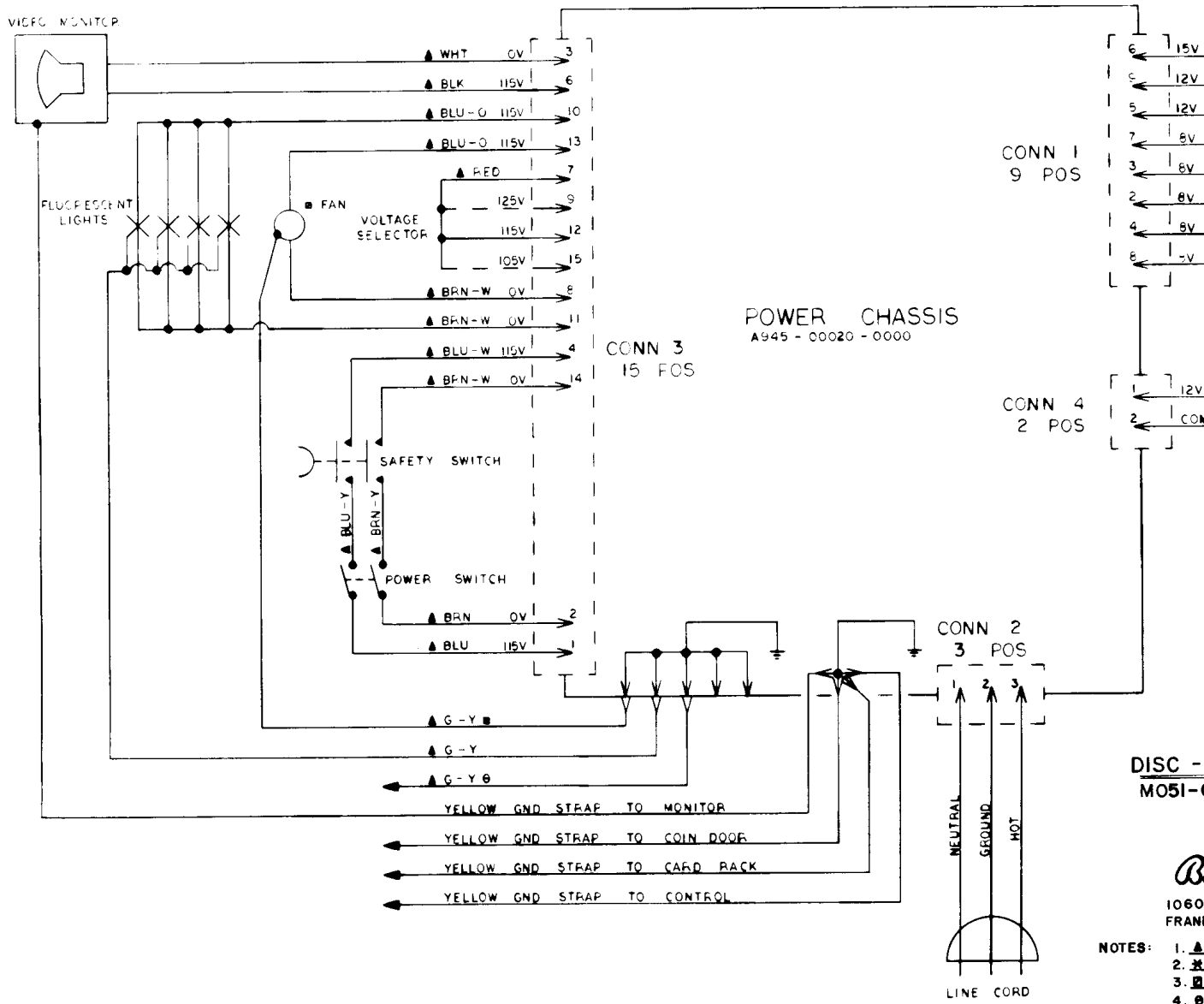
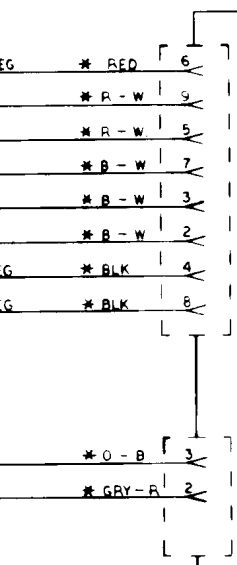


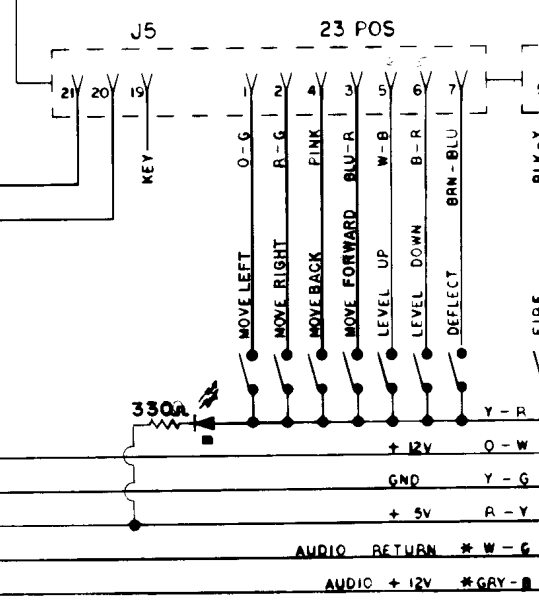
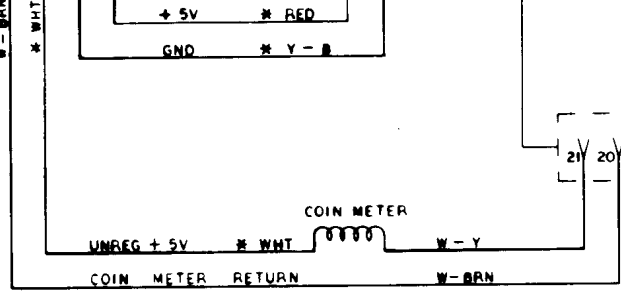
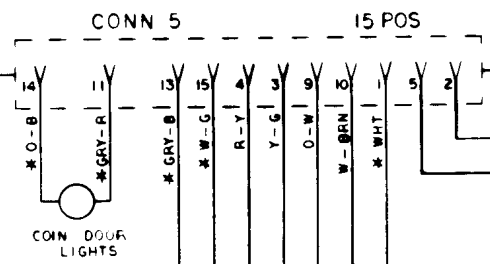
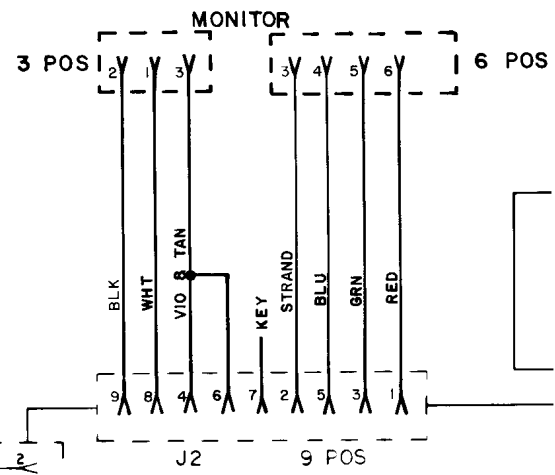
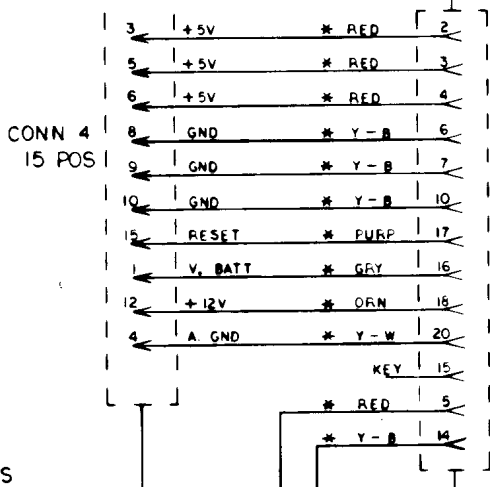
III. Wiring Diagrams & Schematics



10601
FRANK



POWER SUPPLY
A062 - 90412 - C000



TRON
96-A003

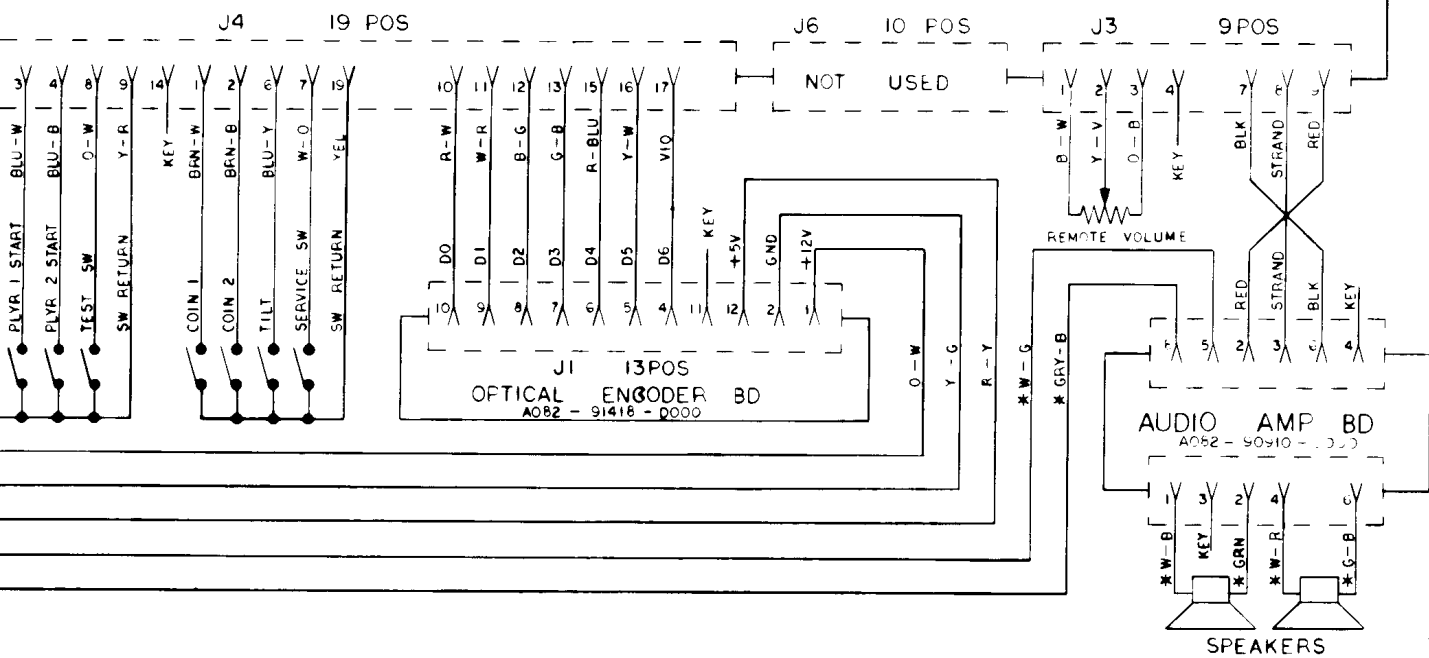
MIDWAY
BELMONT
PARK, ILL 60131

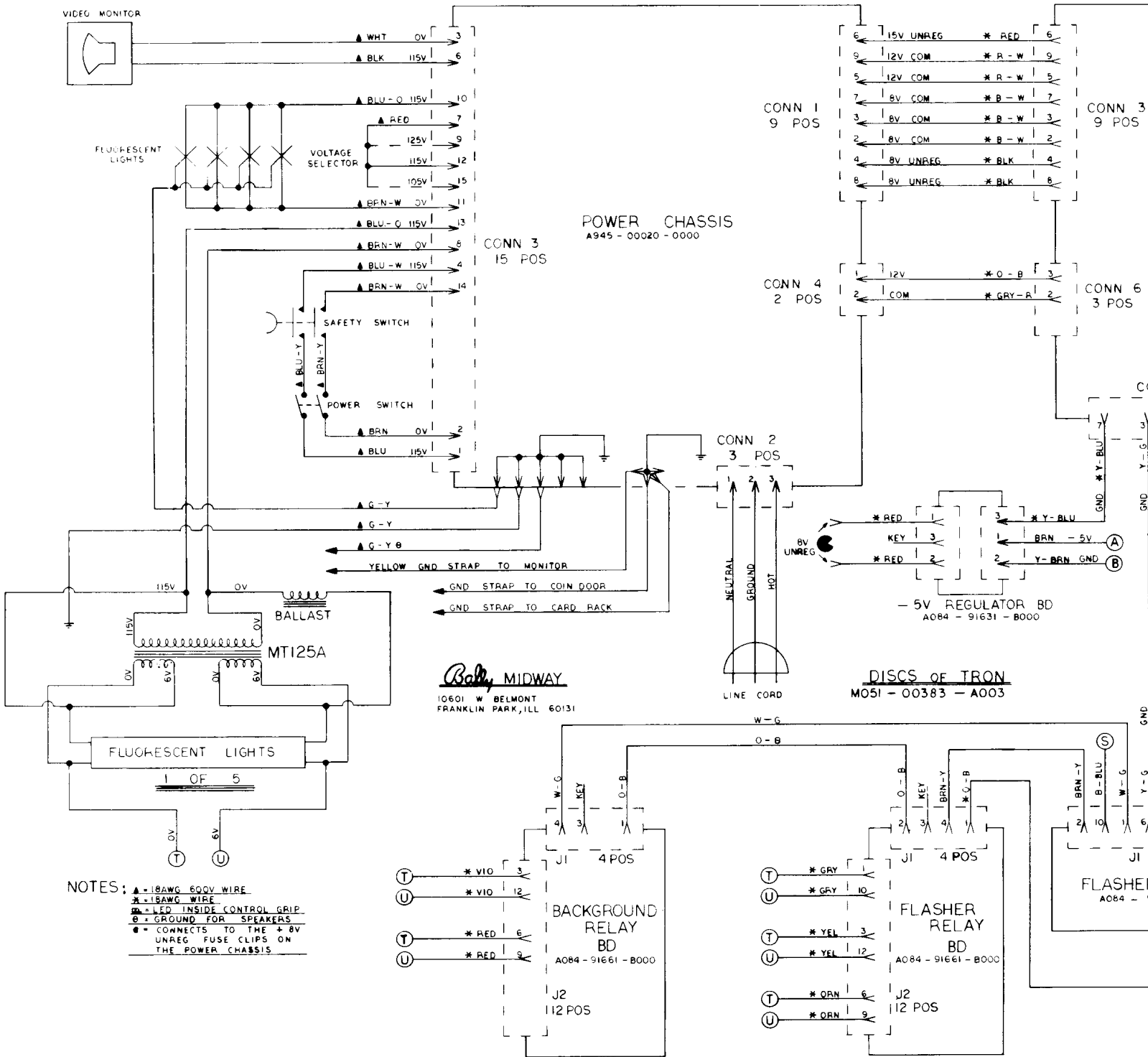
AWG 600V WIRE
AWG WIRE
TIONAL
OUND FOR SPEAKERS
ED INSIDE CONTROL GRIP

SUPER VIDEO GEN
A052 - 51424 - 600

5MHZ CPU
A052 - 91490 - B000

SUPER SOUND I/O
A082 - 90913 - F000



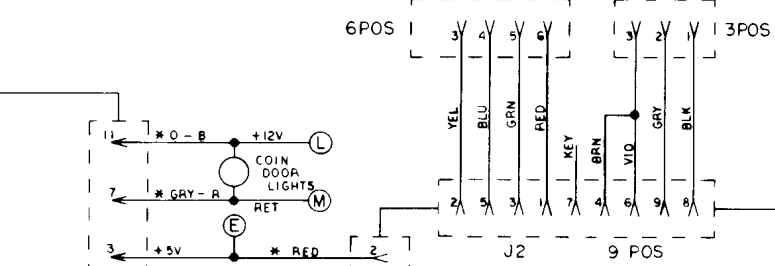


POWER SUPPLY
062 - 90412 - C000

N 5

CONTROL
9 - C363

MONITOR



CONN 4
15 POS

J1
20 POS

15 POS

SUPER

J5

23 POS

J6 10 POS
NOT USED

COIN METER
UNREG +5V * WHT
COIN METER RETURN * W-BRN

2 CONDUCTOR SHIELDED

SQUAWK
AND
TALK

LAMP
SEQUENCER
A064 - 91658 - C63F

J2
6 POS

J1
15 POS

TO POWER SUPPLY
TO -5V SUPPLY

AO84 - 91660 - 8000

VOLUME

RED & BLK
SHIELD

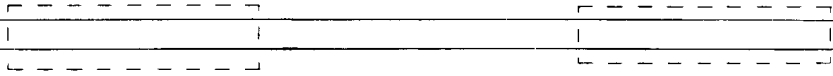
KEY

RED & BLK
SHIELD

J1
18 POS

J2
10 POS

SUPER VIDEO GEN
A084 - 91464 - HGCC

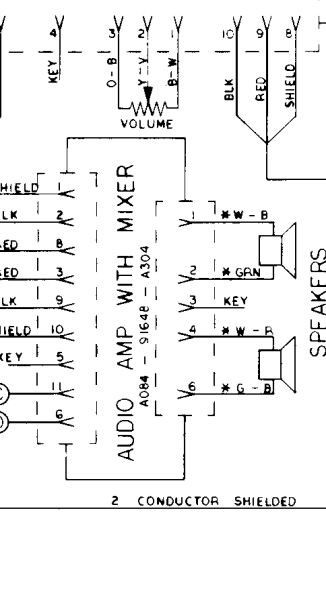


5MHZ CPU
A084 - 91490 - D000

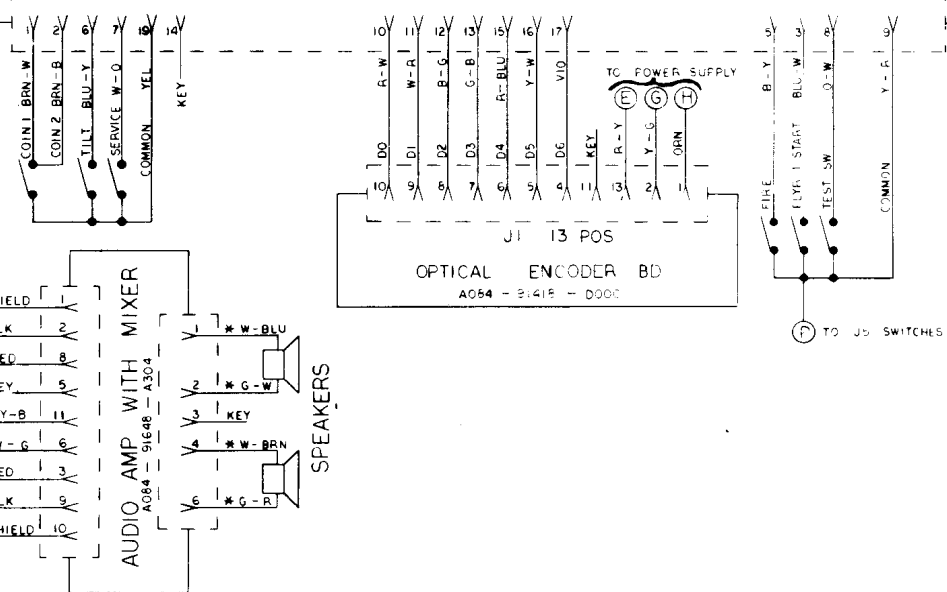


GROUND I/O WITH PANNING
A084 - 91657 - A000

J3 10 POS



J4 19 POS



DESIGNATION LIST

<u>DESIGNATION NO.</u>	<u>DESCRIPTION</u>	<u>DESIGNATION NO.</u>	<u>DESCRIPTION</u>	<u>DESIGNATION NO.</u>	<u>DESCRIPTION</u>
C101-C103	10 MF 25V AX. TANT.	R173-R178	5.6K OHM 1/4W 5X CRBN.	IC14C	74LS367
C104-C127	.1 MF 50V AX. CER.	F179	24K OHM 1/4W 5X CRBN.	IC3D	LM3900
C128,C129	47 PF 50V AX. CER.	R180-R186	4.7K OHM 1/4W 5X CRBN.	IC5D	MC14051
C131	10 MF 25V AX. TANT.	R187,R188	24K OHM 1/4W 5X CRBN.	IC6D	74LS02
C134-C137	1 MF 20V AX. TANT.	R189-R195	4.7K OHM 1/4W 5X CRBN.	IC7D-9D	MC14016
C138	10 MF 25V AX. TANT.	R196	24K OHM 1/4W 5X CRBN.	IC11D	74190
C139	.047 MF 100V MYLAR	R197-R202	5.6K OHM 1/4W 5X CRBN.	IC12D	PROMSB2A
C140,C141	.01 MF 50V AX. CER.	R203-R208	33K OHM 1/4W 5X CRBN.	IC13D	74166
C142	100 PF 50V AX. CER.	R209-R211	13K OHM 1/4W 5X CRBN.	IC2E	74LS244
C143	.1 MF 50V AX. CER.	R212	27K OHM 1/4W 5X CRBN.	IC3E	MC14051
C144	33 PF 50V AX. CER.	R213	27K OHM 1/4W 5X CRBN.	IC5E	7407
C145-C156	.0022 MF 100V 10X MYLAR	R214-R219	33K OHM 1/4W 5X CRBN.	IC10E	MC3403
C157-C159	1 MF 20V AX. TANT.	R220-R222	13K OHM 1/4W 5X CRBN.	IC11E	74161
C161	330 PF 50V AX. CER.	R224	27K OHM 1/4W 5X CRBN.	IC12E	74126
C162-C164	1 MF 20V AX. TANT.	R225,R226	4.7K OHM 1/4W 5X CRBN.	IC2F	74LS244
C165	330 PF 50V AX. CER.	R227	1K OHM 1/4W 5X CRBN.	IC3F-5F	74LS191
C166-C168	10 MF 25V AX. TANT.	R228	4.7K OHM 1/4W 5X CRBN.	IC6F,7F	AY-3-8910
C172	10 MF 25V AX. TANT.	R231	300 OHM 1/4W 5X CRBN.	IC8F-10F	74LS191
C173	.01 MF 50V AX. CER.	R232	4.7K OHM 1/4W 5X CRBN.	IC11F	7474
CP1	470 MF 16V AX. ELECT.	R233	3K OHM 1/4W 5X CRBN.	IC12F	74S04
CP2-CP12	.01 MF 50V AX. CER.	R234,R235	4.7K OHM 1/4W 5X CRBN.	ICS6A-ICS10A	24 PIN IC SOC
CP13	470 MF 16V AX. ELECT.	R239	100 OHM 1/4W 5X CRBN.	ICS12A	40 PIN IC SOC
CP14-CP33	.01 MF 50V AX. CER.	R301-R306	2.7K OHM 1/4W 5X CRBN.	ICS12D	16 PIN IC SOC
CP34	10 MF 25V AX. TANT.	R401	1K OHM 1/4W 5X CRBN.	ICS6F,7F	40 PIN IC SOC
CP35-CP46	.01 MF 50V AX. CER.	R402	4.7K OHM 1/4W 5X CRBN.	J1,J2	24 PIN KK100 ANGLE
CP47	470 MF 16V AX. ELECT.	R405-R407	4.7K OHM 1/4W 5X CRBN.	J3	10PIN KK100 ANGLE OMIT 4
CP48-CP51	.01 MF 50V AX. CER.	RM1	4.7K OHM 10 PIN S.I.P.	J4	19 PIN KK100 ANGLE OMIT 14
CP52,CP53	10 MF 25V AX. TANT.	RM3-RM5	2.7K OHM 10 PIN S.I.P.	J5	23 PIN KK100 ANGLE OMIT 19
CP54	470 MF 16V AX. ELECT.	RM7	4.7K OHM 8 PIN S.I.P.	JW1,JW2	JUMPER WIRE
CP201-CP204	10 MF 25V AX. TANT.	RM8	820 OHM 8 PIN S.I.P.	LED 3	YELLOW LED
R101-R107	4.7K OHM 1/4W 5X CRBN.	RM9	1.8K OHM 10 PIN S.I.P.	SW1	10 POSITION D
R108-R131	220 OHM 1/4W 5X CRBN.	RM10	22K OHM 10 PIN S.I.P.	SW3	8 POSITION D
R135	33K OHM 1/4W 5X CRBN.	RM14	4.7K OHM 10 PIN S.I.P.	SW4	PUSHBUTTON S.
R138,R141	180K OHM 1/4W 5X CRBN.	D101-D103	1N4148	XTAL 1	16 MHZ XTAL
R142,R143	100K OHM 1/4W 5X CRBN.	D105-D107	1N4148	MHQ101-MHQ103	SNAP
R144,R145	620K OHM 1/4W 5X CRBN.	Q101-Q103	T1P110	A080-91657-A000	SOUND I/O BD.
R146	10K OHM 1/4W 5X CRBN.	Q104	2N4403		
R147,R148	100K OHM 1/4W 5X CRBN.	IC1A	7406		
R149,R150	620K OHM 1/4W 5X CRBN.	IC3A,4A	74LS273		
R151	10K OHM 1/4W 5X CRBN.	IC5A	74LS374		
R152	1MEG. OHM 1/4W 5X CRBN.	IC6A	1K X 8 RAM		
R153	1K OHM 1/4W 5X CRBN.	IC7A	ROM/EPROM 0		
R154	1MEG. OHM 1/4W 5X CRBN.	IC8A	ROM/EPROM 1		
R155,R156	10K OHM 1/4W 5X CRBN.	IC9A	ROM/EPROM 2		
R157,R158	1.2K OHM 1/4W 5X CRBN.	IC10A	ROM/EPROM 3		
R160,R161	330 OHM 1/4W 5X CRBN.	IC11A	74LS245		
R162	220 OHM 1/4W 5X CRBN.	IC12A	Z-80 CPU		
R163	1.2K OHM 1/4W 5X CRBN.	IC13A	74LS08		
R164	22 OHM 1/4W 5X CRBN.	IC2B,4B	74LS244		
R165,R166	4.7K OHM 1/4W 5X CRBN.	IC7B,8B	74LS138		
		IC9B	74LS670		
		IC10B	74LS32		
		IC11B	74LS670		
		IC12B,13B	74LS138		
		IC14B	74LS174		
		IC6C	7407		
		IC10C	MC3403		
		IC11C	74LS04		
		IC12C	MC14024		
		IC13C	7427		

DESCRIPTION

- 33 PF 50V 5X AX. CER.
- 47 PF 50V AX. CER.
- 100 PF 50V 5X AX. CER.
- 330 PF 50V AX. CER.
- .0022 MF 100V 10X MYLAR
- .047 MF 100V MYLAR
- .01 MF 50V AX. CER.

- .1 MF 50V AX. CER
- 1 MF 20V AX. TANT

- 10 MF 25V AX. TANT.

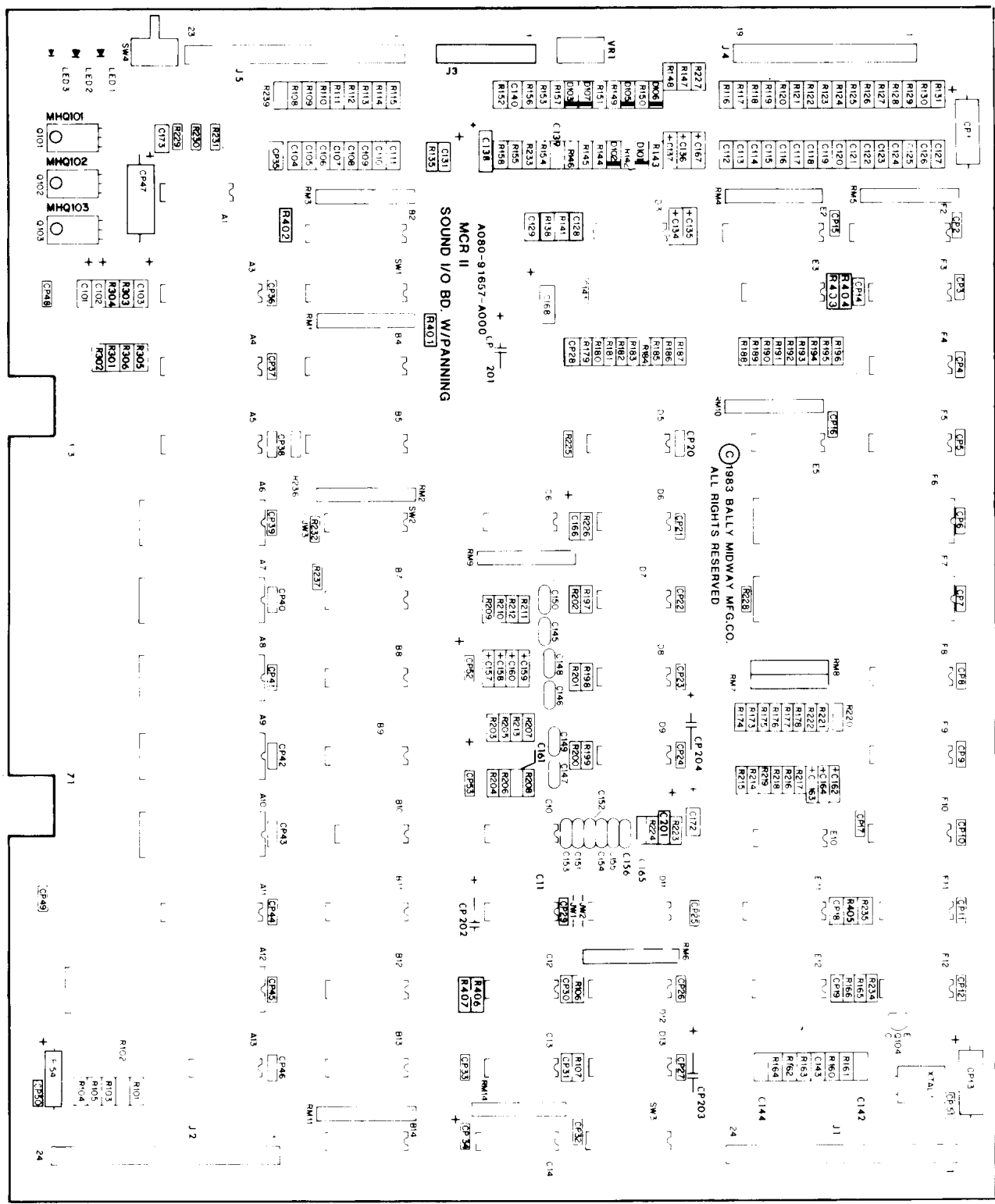
- 470 MF 16V AX. ELECT.

- 22 OHM 1/4W 5X CRBN.
- 100 OHM 1/4W 5X CRBN.
- 220 OHM 1/4W 5X CRBN.
- 300 OHM 1/4W 5X CRBN.
- 330 OHM 1/4W 5X CRBN.
- 1K OHM 1/4W 5X CRBN.
- 1.2K OHM 1/4W 5X CRBN.
- 2.7K OHM 1/4W 5X CRBN.
- 3K OHM 1/4W 5X CRBN.
- 4.7K OHM 1/4W 5X CRBN.

- 5.6K OHM 1/4W 5X CRBN.
- 10K OHM 1/4W 5X CRBN.
- 13K OHM 1/4W 5X CRBN.
- 24K OHM 1/4W 5X CRBN.
- 27K OHM 1/4W 5X CRBN.
- 33K OHM 1/4W 5X CRBN.
- 100K OHM 1/4W 5X CRBN.
- 180K OHM 1/4W 5X CRBN.
- 620K OHM 1/4W 5X CRBN.
- 1 MEG. OHM 1/4W 5X CRBN.

- 820 OHM 8 PIN S.I.P.
- 1.8K OHM 10 PIN S.I.P.
- 2.7K OHM 10 PIN S.I.P.
- 4.7K OHM 8 PIN S.I.P.
- 4.7K OHM 10 PIN S.I.P.
- 22K OHM 10 PIN S.I.P.

1N4148



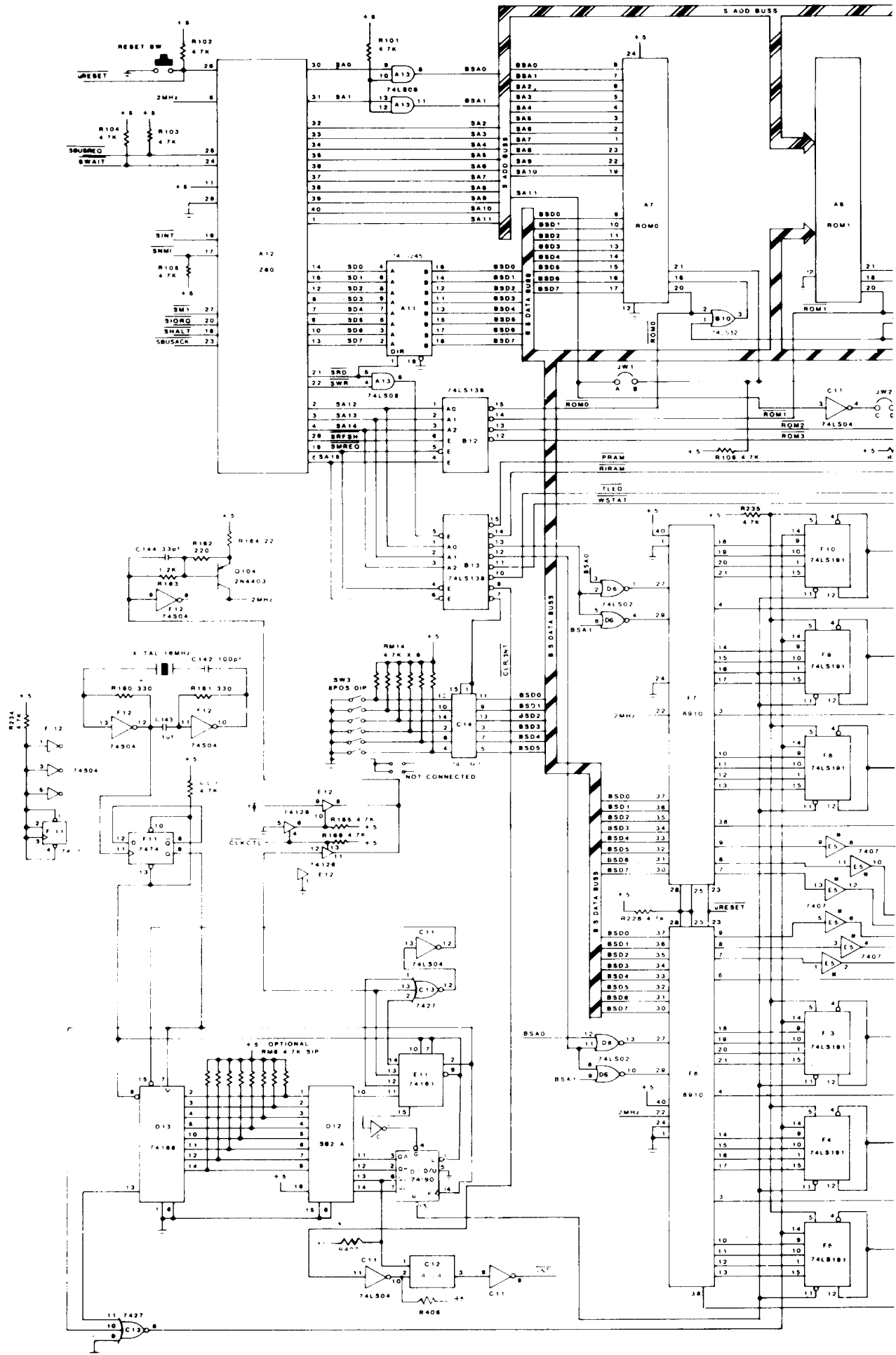
PANNING

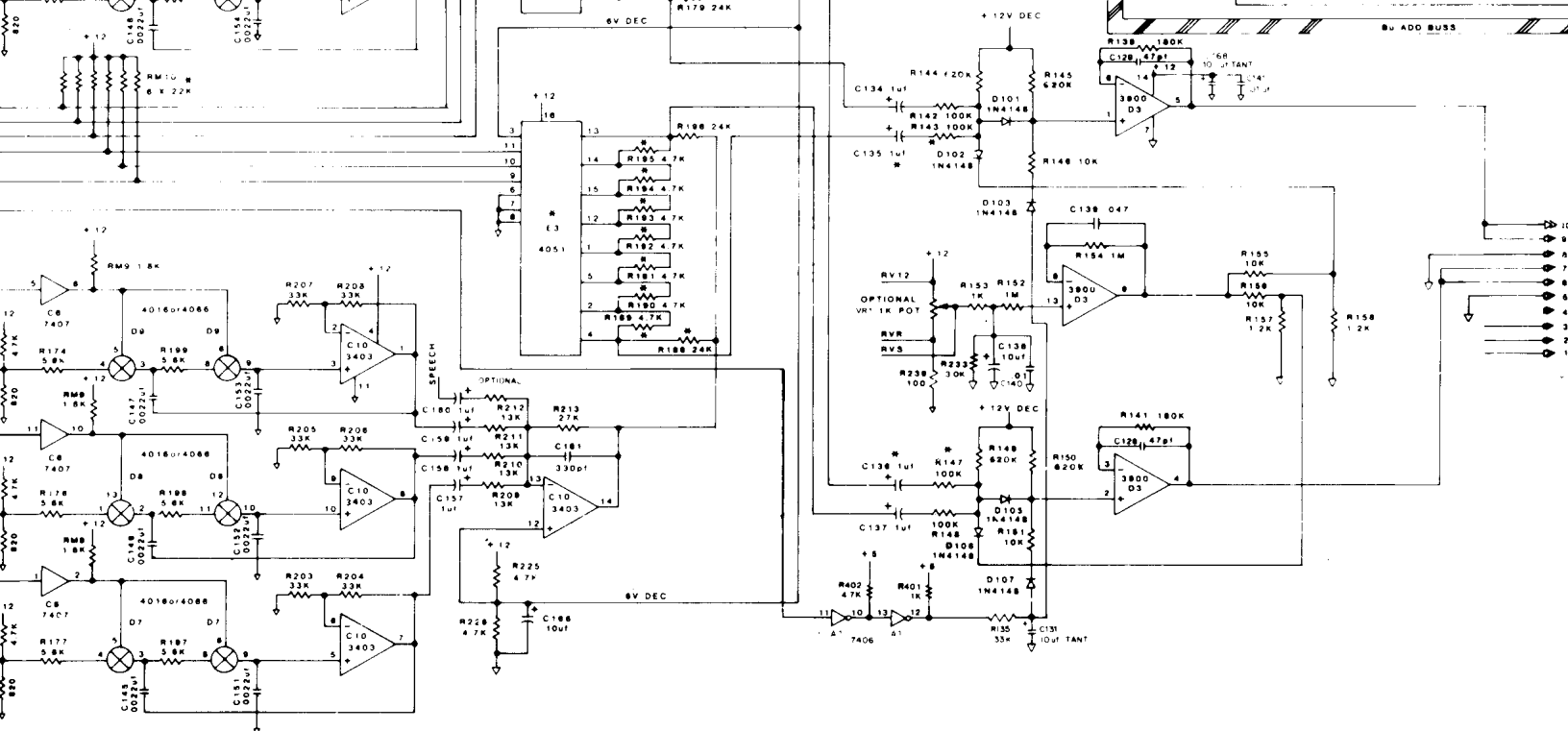
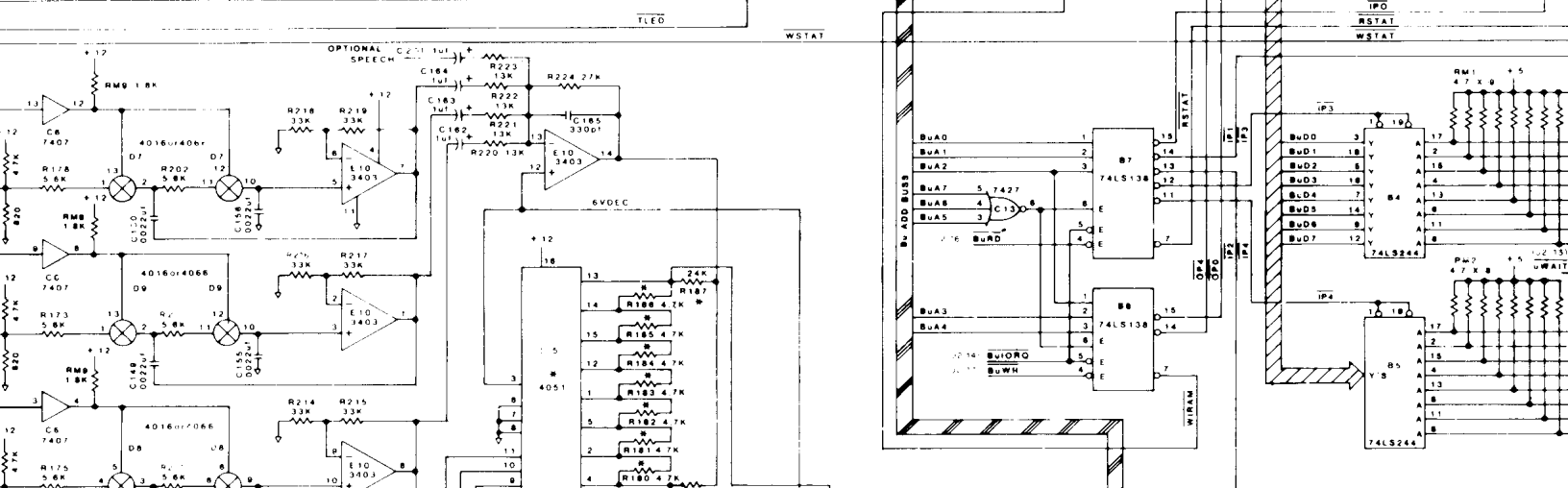
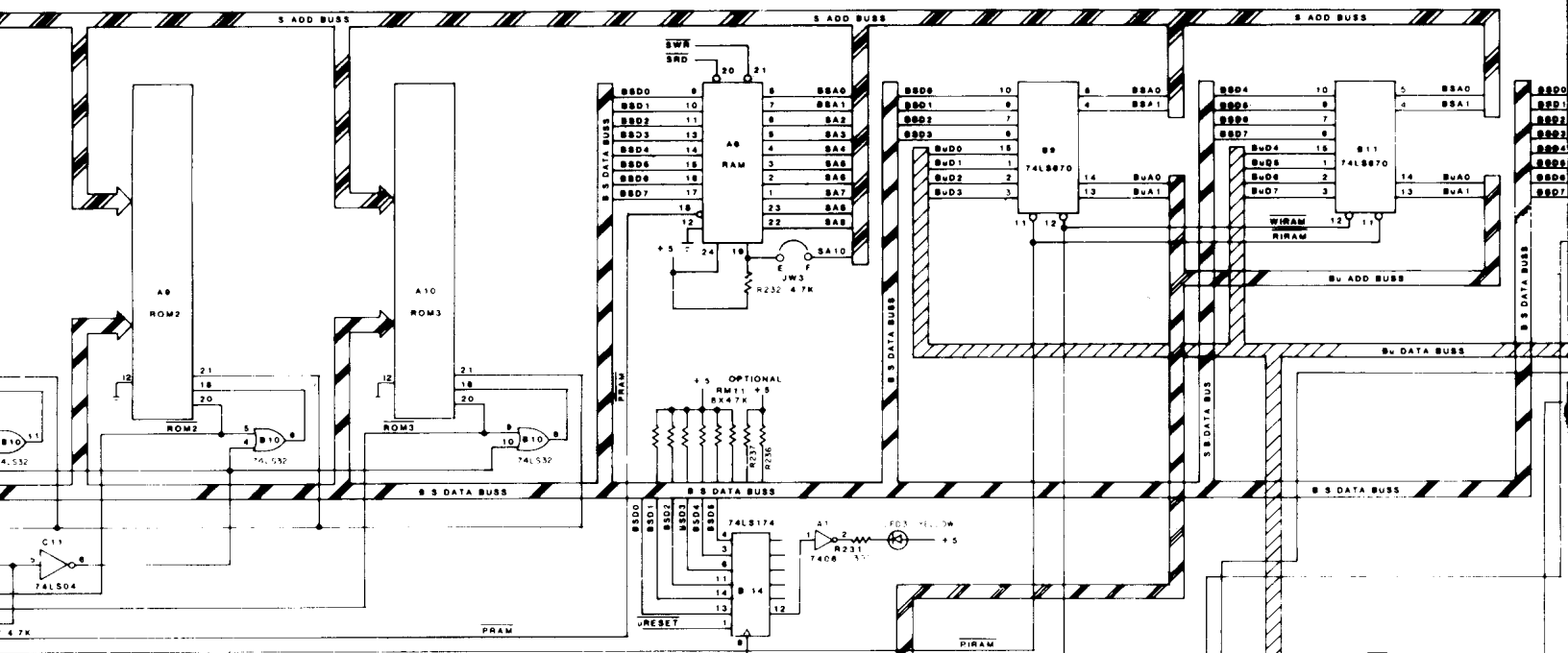
CROSS REFERENCE LIST

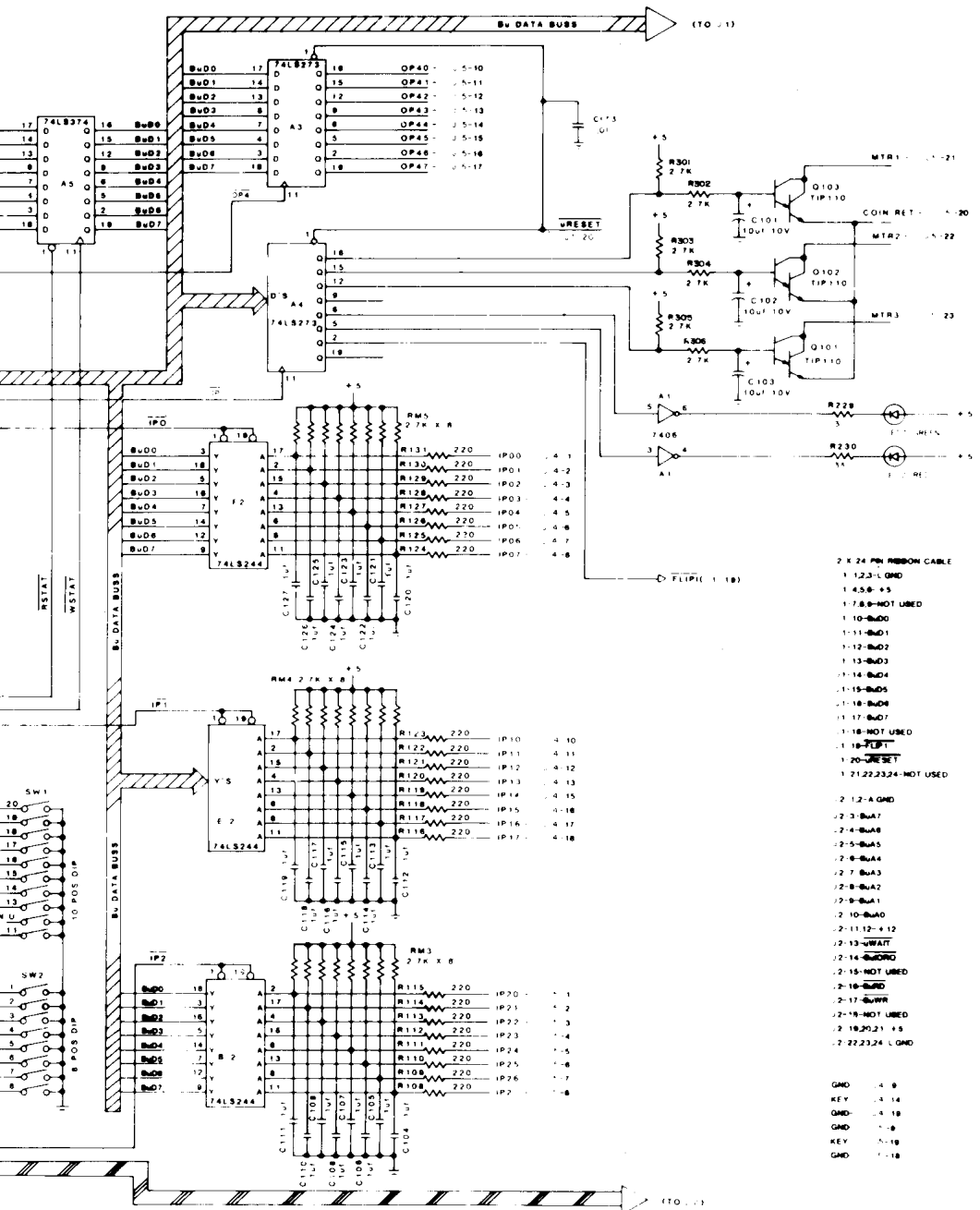
QTY	DESIGNATION NO.	PART NOS.	DESCRIPTION	QTY	DESIGNATION NO.	PART NOS.
1	C144	0986-00800-0300	2N4403	1	Q104	0986-00802-0500
2	C128,C129	0986-00800-2800	T1P110	3	Q101-Q103	0986-00802-0400
1	C142	0986-00800-1000	74LS02	1	IC 6D	0986-00803-7400
2	C161,C165	0986-00800-1300	74LS04	1	IC 11C	0986-00803-6900
12	C145-C156	0986-00800-1200	74S04	1	IC 12F	0986-00803-6600
1	C139	0986-00800-2600	7406	1	IC 1A	0986-00803-7600
50	CP2-CP12,CP14-CP33,CP35-CP46,CP48-CP51,C140,C141,C173	0986-00800-2000	7407	2	IC 5E,6C	0986-00803-5900
25	C104-C127,C143	0986-00800-1100	74LS08	1	IC 13A	0986-00803-7300
10	C134-C137,C157-C159,C162-C164	0986-00800-1400	7427	1	IC 13C	0986-00803-7200
16	CP34,CP52,CP53,CP201-CP204	0986-00800-0700	74LS32	1	IC 10B	0986-00803-6100
4	CP1,CP13,CP47,CP54	0986-00800-2700	7474	1	IC 11F	0986-00803-6700
1	R164	0062-063B3-1XXX	74126	1	IC 12E	0986-00803-6800
1	R239	0062-110B3-1XXX	74LS138	4	IC 7B,8B,12B,13B	0986-00803-6500
25	R108-R131,R162	0062-133B3-1XXX	74161	1	IC 11E	0986-00803-5100
1	R231	0062-141B3-1XXX	74166	1	IC 13D	0986-00803-5300
2	R160,R161	0062-144B3-1XXX	74LS174	1	IC 14B	0986-00803-7500
3	R153,R227,R401	0062-179B3-1XXX	74190	1	IC 11D	0986-00803-9400
3	R157,R158,R163	0062-183B3-1XXX	74LS191	6	IC 3F-5F,8F-10F	0986-00803-5600
6	R301-R306	0062-199B3-1XXX	74LS244	4	IC 2B,4B,2E,2F	0986-00803-4800
1	R233	0062-201B3-1XXX	74LS245	1	IC 11A	0986-00803-6400
33	R101-R107,R165,R166,R180-R186,R189-R195,R225,R226,R228,R232,R234,R235,R402,R405-R407	0062-211B3-1XXX	74LS273	2	IC 3A,4A	0986-00803-4700
12	R173-R178,R197-R202	0062-215B3-1XXX	74LS367	1	IC 14C	0986-00803-7000
4	R146,R151,R155,R156	0062-227B3-1XXX	74LS374	1	IC 5A	0986-00803-4600
6	R209-R211,R220-R222	0062-233B3-1XXX	74LS670	2	IC 9B,11B	0986-00803-6300
4	R179,R187,R188,R196	0062-245B3-1XXX	AY-3-8910	2	IC 6F,7F	0986-00803-8500
2	R213,R224	0062-247B3-1XXX	LM3900	1	IC 3D	0986-00803-4900
13	R135,R203-R208,R214-R219	0062-251B3-1XXX	MC3403	2	IC 10C,10E	0986-00803-5000
4	R142,R143,R147,R148	0062-275B3-1XXX	MC14016	3	IC 7D-9D	0986-00803-6200
2	R138,R141	0062-287B3-1XXX	MC14024	1	IC 12C	0986-00803-7100
4	R144,R145,R149,R150	0062-313B3-1XXX	MC14051	2	IC 3E,5D	0986-00803-5400
2	R152,R154	0062-323B3-1XXX	PROMSB2-A	1	IC 12D	0986-00803-8200
1	RM8	0986-00805-0800	RAM 1K X 8	1	IC 6A	0986-00803-8000
1	RM9	0986-00805-0600	ROM/EPROM 0	1	IC 7A	
3	RM3-RM5	0986-00805-0500	ROM/EPROM 1	1	IC 8A EPROM/ROM	0383-00803-0001
1	RM7	0986-00805-0400	ROM/EPROM 2	1	IC 9A OPTIONS KIT	
2	RM1,RM14	0986-00805-0300	ROM/EPROM 3	1	IC 10A	
1	RM10	0986-00805-0700	Z-80(3880)	1	IC 12A	0986-00803-5500
6	D101-D103,D105-D107	0986-00801-0200	16 PIN IC SOCKET	1	ICS 12D	0986-00804-1400
			24 PIN IC SOCKET	5	ICS 6A-ICS 10A	0986-00804-1600
			40 PIN IC SOCKET	3	ICS 12A,ICS 6F,ICS 7F	0986-00804-1500
			10 PIN KK 100 RT. ANGLE OMIT 4	1	J3	3000-16366-1002
			19 PIN KK 100 RT. ANGLE OMIT 14	1	J4	3000-16366-1901
			23 PIN KK 100 RT. ANGLE OMIT 19	1	J5	3000-16366-2301
			24 PIN KK 100 RT. ANGLE	2	J1,J2	0986-00804-4700
			JUMPER WIRE	2	JW1,JW2	0986-00804-4000
			YELLOW LED	1	LED 3	0986-00804-2000
			8 POSITION DIP SW.	1	SW3	0986-00805-0900
			10 POSITION DIP SW.	1	SW1	0986-00805-1000
			PB SWITCH	1	SW4	0986-00804-1700
			16 MHZ XTAL W/3RD LEAD	1	XTAL 1	0986-00805-1100
			SNAPS	3	MHQ101-MHQ103	0017-00007-0134
			SOUND I/O BD. W/PANNING	1		A080-91657-A000

REVISIONS	

PROJECT ENG: C. MEDNICK		USED ON MCR II / DISC S/U		Bally / MIDWAY MFG. CO. FRANKLIN, PA. U.S.A.	
DRW: <i>RLW</i>	HEAT TREAT	SCALE: FULL	NO REQ'D PER	ASSEMBLY DWG.	
CHKD: <i>CM</i>	MAT'L	DATE: 08/22/83		SOUND I/O BD. W/PANNING DISC S/U	
DATE: 08/22/83		FINISH		PART NO: MO51 - 00383 - A024	
DATE: 08/22/83		FINISH		PART NO: MO51 - 00383 - A024	

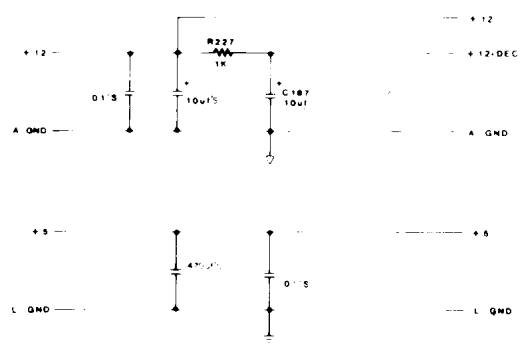






2 X 24 PIN RIBBON CABLE		72 PIN TEST CONN	
1-12-3-GND		1-12-3	37-3A4
1-4-5-+5		2-+5	38-3A5
1-7-8-NOT USED		3-+5	39-3A6
1-10-BuD0		4-+5	40-3A7
1-11-BuD1		5-+12	41-3A8
1-12-BuD2		6-+5	42-3A9
1-13-BuD3		7-+12	43-3A10
1-14-BuD4		8-NOT USED	44-3A11
1-15-BuD5		9-BuD0	45-3A12
1-16-BuD6		10-BuD1	46-3A13
1-17-BuD7		11-BuD2	47-3A14
1-18-NOT USED		12-BuD3	48-3A15
1-19-RESET		13-BuD4	49-3B00
1-20-RESET		14-BuD5	50-3B01
1-21,22,23,24-NOT USED		15-BuD6	51-3B11
2-12-A-GND		16-BuD7	52-3B00BACK
2-3-BuA1		17-500	53-BuD0
2-4-BuA2		18-501	54-BuD1
2-5-BuA3		19-502	55-RESET
2-6-BuA4		20-503	56-18
2-7-BuA5		21-504	57-CLKCTE
2-8-BuA6		22-505	58-3B00
2-9-BuA7		23-506	59-SWR
2-10-BuA8		24-507	60-3B00
2-11,12-+12		25-EuA0	61-3B00
2-13-+WATT		26-BuA1	62-3B00
2-14-3B00		27-BuA2	63-3B00
2-15-NOT USED		28-BuA3	64-3B00
2-16-BuD0		29-BuA4	65-+5
2-17-SWR		30-BuA5	66-SWATT
2-18-NOT USED		31-BuA6	67-+5
2-19,20,21-+5		32-BuA7	68-SWATT
2-22,23,24-GND		33-SAD	69-NOT USED
		34-SA1	70-+5
		35-SA2	71-+5
		36-SA3	72-+5

AUDIO
AUDIO
SHIELD
AUDIO
AUDIO
SHIELD
EY
V12
V5
VU



N 71
R W JUMPER DPT INS
EPROW ROM
2552 COMPATABILITY
2752 COMPATABILITY

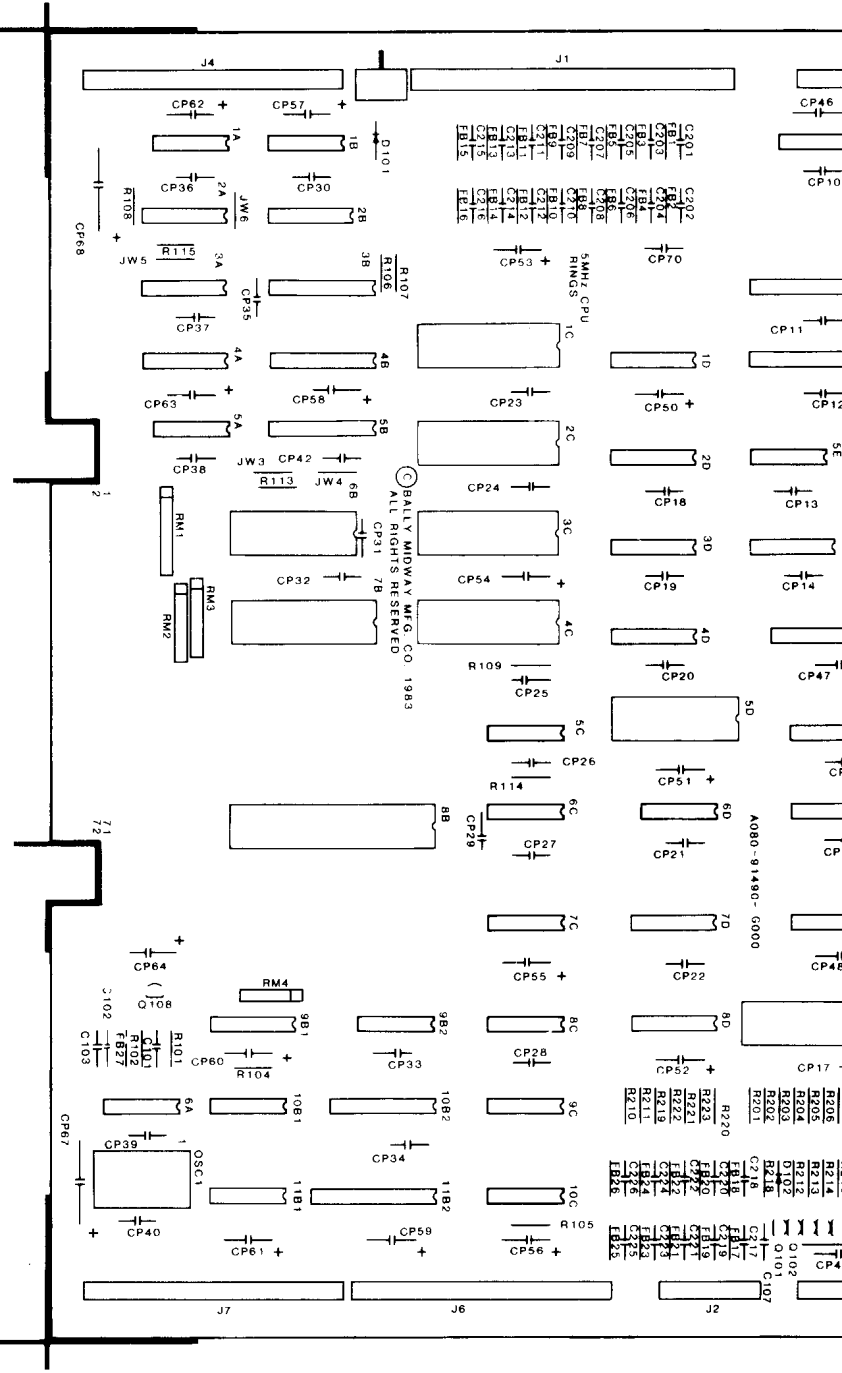
NOTE: THIS DRAWING VALID FOR 'K' & 'L' VERSION SOUND I/O.

PROJ ENG CARY MEDNICK

DISCS OF TRON	MIDWAY MFG. CO.
FULL	SCHEMATIC SOUND I/O
W/ PANNING	A084-91657-A000
08/11/83	M051-00982-A035

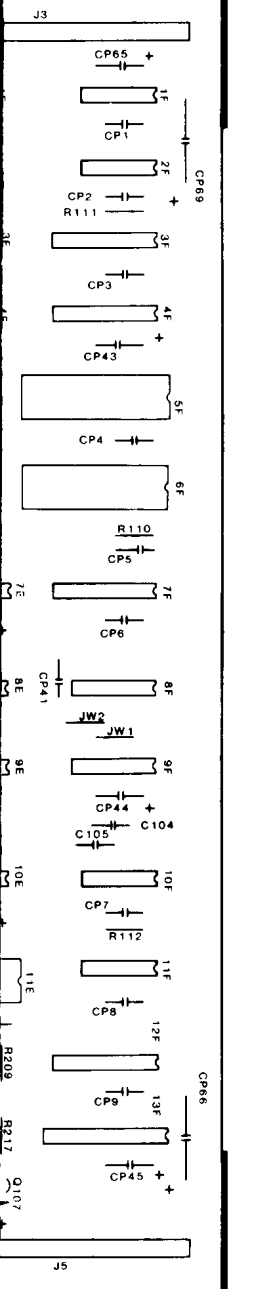
DESIGNATION LIST

DESIGNATION NO.	DESCRIPTION	DESIGNATION NO.	DESCRIPTION
CP1-CP42	.01 MF AX. CER.	IC 4A	74LS367
CP43-CP65	10 MF 25V AX.	IC 5A	74LS04
	TANT.	IC 6A	74S04
CP66-CP69	470 MF 16V AX.		
	ELECT.	IC 1B	74LS32
CP70	.01 MF AX. CER.	IC 2B	4017
C101	33 PF AX. CER.	IC 3B	MMCO7
C102	47 PF AX. CER.	IC 4B, IC 5B	74LS244
C103	.1 UF AX. CER.	IC 6B	NV RAM
C104	.1 UF AX. CER.	IC 7B	280B CTC
C105	390 PF AX. CER.	IC 8B	280B
C107	390 PF AX. CER.	IC 9B1	74S161
C201-C216	390 PF AX. CER.	IC 9B2	74LS04
C217-C222	47 PF AX. CER.	IC 10B1	74LS08
C223-C226	820 PF AX. CER.	IC 10B2	MMCO3
		IC 11B1	74LS86
R101	82K OHM 1/4W 5% CRBN.	IC 11B2	MMCO1
		IC 1C, IC 2C,	EPROM
R102	39 OHM 1/4W 5% CRBN.	IC 3C, IC 4C	
R104, R105	1K OHM 1/4W 5% CRBN.	IC 5C, IC 6C	74LS74
		IC 7C	74LS04
R106-R108	4.7K OHM 1/4W 5% CRBN.	IC 8C	7427
		IC 9C, IC 10C	74LS20
R109-R114	1K OHM 1/4W 5% CRBN.	IC 1D	74LS139
		IC 2D, IC 3D,	74LS157
R115	4.7K OHM 1/4W 5% CRBN.	IC 4D, IC 7D	
		IC 8D	
R201	510 OHM 1/4W 5% CRBN.	IC 5D	RAM
		IC 6D	74LS32
R202	1K OHM 1/4W 5% CRBN.	IC 1E	74LS32
R203	2K OHM 1/4W 5% CRBN.	IC 3E, IC 4E	74LS245
R204	510 OHM 1/4W 5% CRBN.	IC 5E	74LS08
R205	1K OHM 1/4W 5% CRBN.	IC 6E, IC 9E	74LS174
		IC 7E	74LS273
R206	2K OHM 1/4W 5% CRBN.	IC 8E	74LS153
		IC 10E	74LS157
R207	510 OHM 1/4W 5% CRBN.	IC 11E	93419
		IC 1F, IC 2F	74LS86
R208	1K OHM 1/4W 5% CRBN.	IC 3F, IC 4F,	74LS273
		IC 7F	
R209	2K OHM 1/4W 5% CRBN.	IC 5F, IC 6F	EPROM
R210, R211	560 OHM 1/4W 5% CRBN.	IC 8F	74LS153
		IC 9F	74LS157
R212-R217	10 OHM 1/4W 5% CRBN.	IC 10F, IC 11F	74LS74
		IC 12F	MMCO6
R218	1K OHM 1/4W 5% CRBN.	IC 13F	MMCO2
R219	100 OHM 1/4W 5% CRBN.	FB1-FB27	FERRITE BEAD
R220	820 OHM 1/4W 5% CRBN.	ICS 13FA,	8 PIN DIP SOCKET
		ICS 11B2A	
R221, R223	470 OHM 1/4W 5% CRBN.	ICS 13FB,	16 PIN DIP SOCKET
		ICS 11B2B	
		ICS 3B, ICS 10B2,	20 PIN DIP SOCKET
		ICS 12F	
		ICS 6B, 5D	24 PIN DIP SOCKET
RM1	4.7K OHM 9 PIN SIP	ICS 7B, ICS 1C-4C,	28 PIN DIP SOCKET
		ICS 11E, ICS 5F,	
RM2, RM3	4.7K OHM 8 PIN SIP	ICS 6F	
		ICS 8B	
RM4	4.7K OHM 6 PIN SIP	J1	20 PIN .156C CONN. OMIT 15
D101	1N5817	J2	9 PIN .100C CONN. OMIT 3
D102	1N4148	J3-J7	HEADER
Q101	2N4123	-	FLEX PACK JUMPERS
Q102-Q107	A 70	JW1-JW6	JUMPERS
Q108	2N4403	SW1	PUSH BUTTON SW.
OSC 1	20 MHZ + 0.1% OSCILLATOR	A080-91490-G000	5 MHZ CPU BD.
IC 1A	74LS32		
IC 2A	4053		
IC 3A	74LS161		



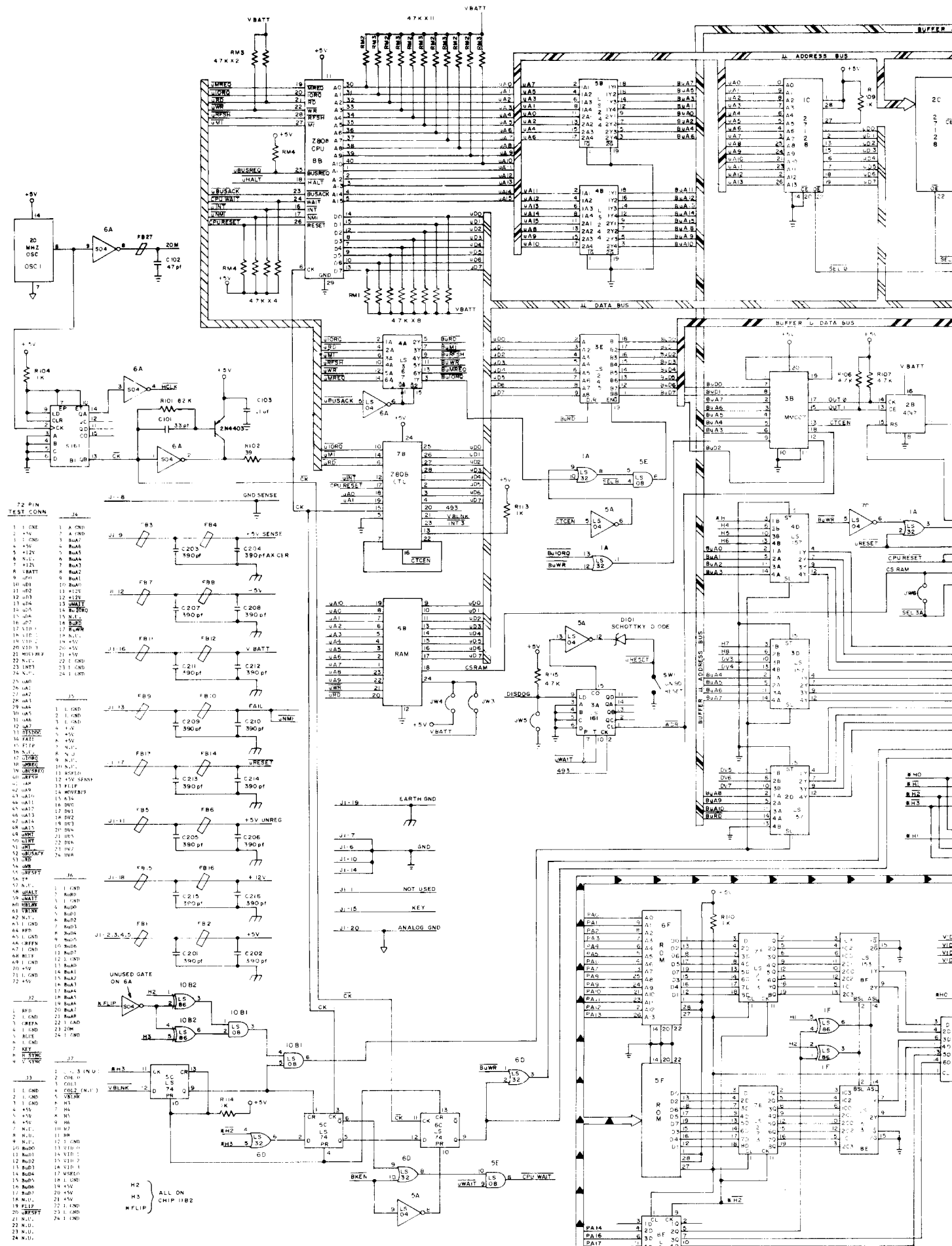
CROSS REFERENCE LIST

DESCRIPTION	QTY	DESIGNATION NO.	PART NOS.	DESCRIPTION	QTY	DESIGNATION NO.	PART NOS.
33 PF 50V AX. CER.	1	C101	0986-00800-0300	74LS32	4	IC 1A,1B,6D,1E	0986-00803-0600
47 PF 50V AX. CER.	7	C102,C217-C222	0986-00800-2800	74LS74	4	IC 5C,6C,10F,11F	0986-00803-1000
390 PF 50V AX. CER.	18	C105,C107,C201-C216	0986-00800-3000	74LS86	3	IC 11B1,1F,2F	0986-00803-9900
820 PF 50V AX. CER.	4	C223-C226	0945-00816-0400	74LS139	1	IC 1D	0304-00803-0040
.01 MF 50V 20% AX. CER.	43	CP1-CP42,CP70	0986-00800-2200	74LS153	2	IC 8E,8F	0986-00803-1000
.1 MF 50V 20% AX. CER.	2	C103,C104	0986-00800-0200	74LS157	7	IC 2D,3D,4D,7D,8D,10E,9F	0986-00803-9700
10 MF 25V 10% AX. TANT.	23	CP43-CP65	0986-00800-3400	74LS161	1	IC 3A	0986-00803-1000
470 MF 16V AX. CER.	4	CP66-CP69	0986-00800-3500	74LS174	2	IC 6E,9E	0986-00803-9800
10 OHM 1/4W 5% CRBN.	6	R212-R217	0062-051B3-1XXX	74LS244	2	IC 4B,5B	0986-00803-0800
39 OHM 1/4W 5% CRBN.	1	R102	0062-080B3-1XXX	74LS245	2	IC 3E,4E	0986-00803-0900
100 OHM 1/4W 5% CRBN.	1	R219	0062-110B3-1XXX	74LS273	4	IC 7E,3F,4F,7F	0986-00803-1000
470 OHM 1/4W 5% CRBN.	3	R221-R223	0062-156B3-1XXX	74LS367	1	IC 4A	0986-00803-2200
510 OHM 1/4W 5% CRBN.	3	R201,R204,R207	0062-159B3-1XXX	74S04	1	IC 6A	0986-00803-0400
560 OHM 1/4W 5% CRBN.	2	R210,R211	0062-162B3-1XXX	74S161	1	IC 9B1	0986-00803-1000
820 OHM 1/4W 5% CRBN.	1	R220	0062-174B3-1XXX	93419	1	IC 11E	0304-00803-0030
1K OHM 1/4W 5% CRBN.	12	R104,R105,R109-R114,R202,R205,R208,R218	0062-179B3-1XXX	EPROM	6	IC 1C,2C,3C,4C,5F,6F	0986-00803-9600
2K OHM 1/4W 5% CRBN.	3	R203,R206,R209	0062-193B3-1XXX	MMC01	1	IC 11B2	0986-00803-8900
4.7K OHM 1/4W 5% CRBN.	4	R106-R108,R115	0062-211B3-1XXX	MMC02	1	IC 13F	0986-00803-9000
82K OHM 1/4W 5% CRBN.	1	R101	0062-271B3-1XXX	MMC03	1	IC 2B	0986-00803-9100
4.7K OHM 9 PIN SIP.	1	RM1	0304-00804-0005	MMC07	1	IC 3B	0986-00804-3200
4.7K OHM 8 PIN SIP.	2	RM2,RM3	0986-00805-0400	NV RAM	1	IC 6B	0986-00803-8100
4.7K OHM 6 PIN SIP.	1	RM4	0986-00804-2400	RAM	1	IC 5D	0986-00803-1000
1N5817	1	D101	0986-00801-0300	Z80B	1	IC 8B	0304-00803-0040
1N4148	1	D102	0986-00801-0100	Z80B CTC	1	IC 7B	0304-00803-0040
2N4123	1	Q101	0986-00802-0100	FERRITE BEAD	27	FB1-FB27	0316-00804-0000
A 70	6	Q102-Q107	0986-00802-0300	8 PIN DIP SOCKET	2	ICS 13FA, ICS 11B2A	0986-00804-3600
2N4403	1	Q108	0986-00802-0200	16 PIN DIP SOCKET	2	ICS 13BF, ICS 11B2B	0986-00804-3700
20 MHZ ± 0.1% OSCILLATOR	1	OSC1	0304-00804-0007	20 PIN DIP SOCKET	3	ICS 3B, ICS 10B2, ICS 12F	0986-00804-3800
4017	1	IC 2B	0986-00803-8700	24 PIN DIP SOCKET	2	ICS 6B, ICS 5D	0986-00804-3400
4053	1	IC 2A	0986-00803-2000	28 PIN DIP SOCKET	8	ICS 7B, ICS 1C-4C, ICS 11E, ICS 5F, ICS 6F, ICS 8B	0986-00804-3900
74LS04	3	IC 9B2,7C,5A	0986-00803-1007	40 PIN DIP SOCKET	1	J2	3000-16366-0900
74LS08	2	IC 10B1,5E	0986-00803-1006	FMD. HDR. .100C	1	J1	3000-16387-2010
74LS20	2	IC 9C,10C	0986-00803-1004	FMD. HDR. .156C	1	J3-J7	0986-00804-4700
7427	1	IC 8C	0304-00803-0046	OMIT 15 HEADER	5	-	0986-00804-4800
				FLEX PACK JUMPERS	5	JW1-JW6	0986-00804-4000
				JUMPERS	6	-	0986-00804-4000
				PUSH BUTTON SW.	1	SW1	0986-00804-3100
				5 MHZ CPU BD.	1	-	A080-91490-G000



REVISIONS	

PROJECT ENG: R. WEYAND		USED ON DISC OF TRON		Bally / MIDWAY MFG. CO. FRANKLIN PK. ILL.	
DO NOT SCALE DRAWING		HEAT TREAT	SCALE FULL	NO REQ'D 1 PER	
DIM TOLERANCE UNLESS OTHERWISE SPECIFIED		ASSEMBLY DRAWING		PART NO	
DATE 09/01/83		5 MHZ CPU RINGS		M051 - 00304 - G009	
		A080-91490-G000			



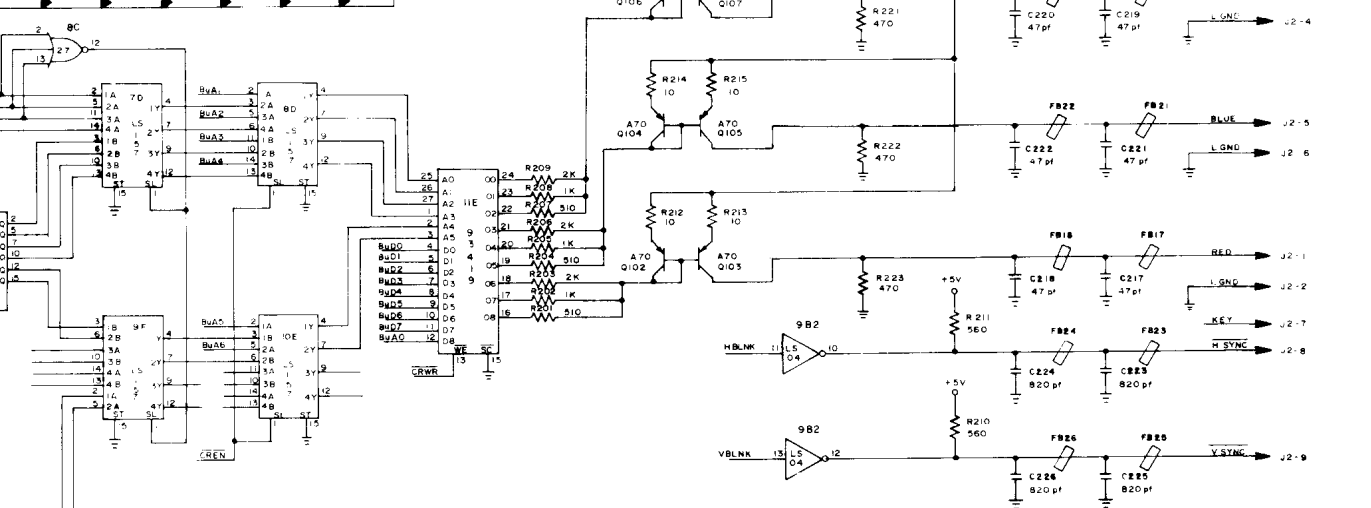
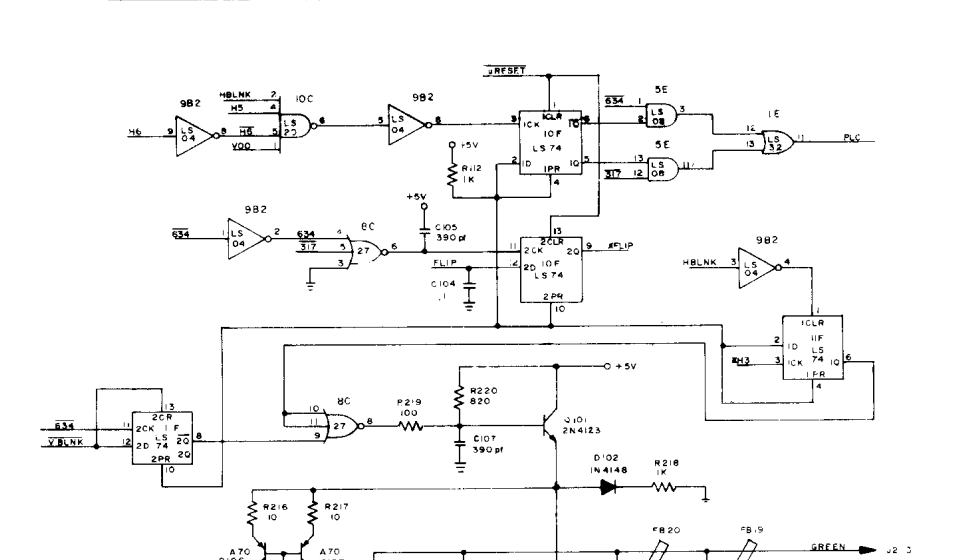
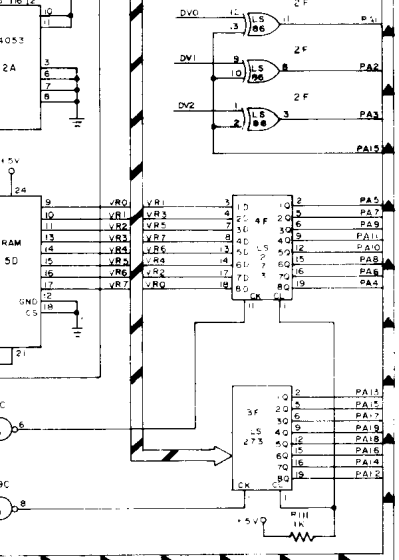
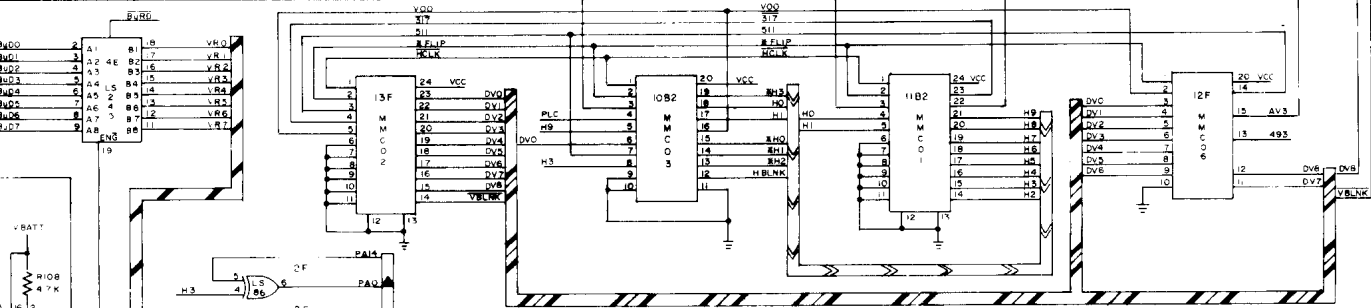
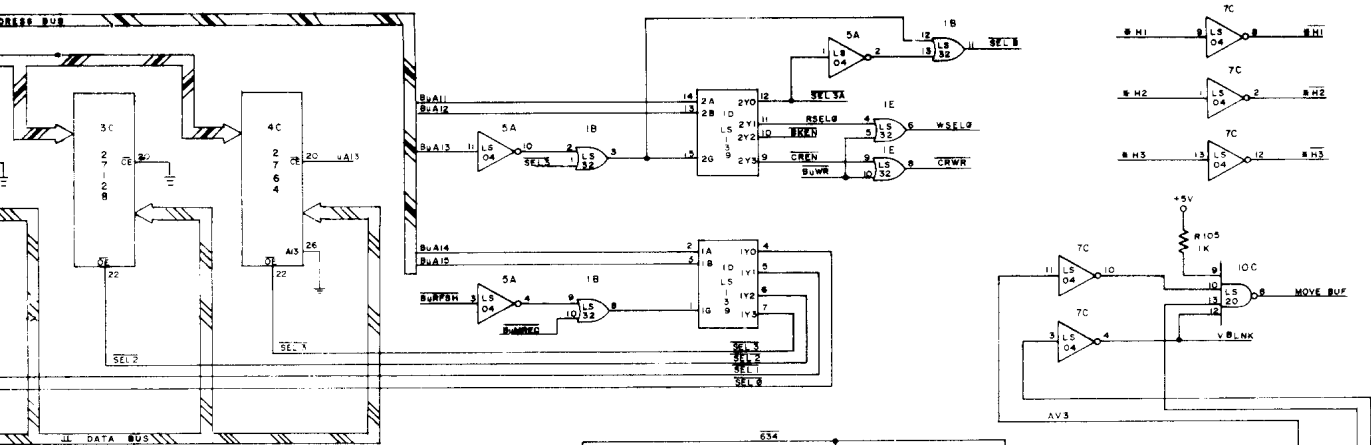
72 PIN TEST CONN

1	2	3	4	5	6	7	8	9	10	11	12	13	14	15	16	17	18	19	20	21	22	23	24
1 CNE	2 A GND	3 BUA7	4 BUA8	5 +12V	6 BUA1	7 BUA2	8 BUA3	9 BUA4	10 BUA5	11 BUA6	12 +12V	13 BUA7	14 BUA8	15 BUA9	16 BUA10	17 BUA11	18 BUA12	19 BUA13	20 BUA14	21 BUA15	22 BUA16	23 BUA17	24 BUA18

25	26	27	28	29	30	31	32	33	34	35	36	37	38	39	40	41	42	43	44	45	46	47	48	49	50	51	52	53	54	55	56	57	58	59	60	61	62	63	64	65	66	67	68	69	70	71	72
----	----	----	----	----	----	----	----	----	----	----	----	----	----	----	----	----	----	----	----	----	----	----	----	----	----	----	----	----	----	----	----	----	----	----	----	----	----	----	----	----	----	----	----	----	----	----	----

73	74	75	76	77	78	79	80	81	82	83	84	85	86	87	88	89	90	91	92	93	94	95	96	97	98	99	100	101	102	103	104	105	106	107	108	109	110	111	112	113	114	115	116	117	118	119	120	121	122	123	124	125	126	127	128	129	130	131	132	133	134	135	136	137	138	139	140	141	142	143	144	145	146	147	148	149	150	151	152	153	154	155	156	157	158	159	160	161	162	163	164	165	166	167	168	169	170	171	172	173	174	175	176	177	178	179	180	181	182	183	184	185	186	187	188	189	190	191	192	193	194	195	196	197	198	199	200
----	----	----	----	----	----	----	----	----	----	----	----	----	----	----	----	----	----	----	----	----	----	----	----	----	----	----	-----	-----	-----	-----	-----	-----	-----	-----	-----	-----	-----	-----	-----	-----	-----	-----	-----	-----	-----	-----	-----	-----	-----	-----	-----	-----	-----	-----	-----	-----	-----	-----	-----	-----	-----	-----	-----	-----	-----	-----	-----	-----	-----	-----	-----	-----	-----	-----	-----	-----	-----	-----	-----	-----	-----	-----	-----	-----	-----	-----	-----	-----	-----	-----	-----	-----	-----	-----	-----	-----	-----	-----	-----	-----	-----	-----	-----	-----	-----	-----	-----	-----	-----	-----	-----	-----	-----	-----	-----	-----	-----	-----	-----	-----	-----	-----	-----	-----	-----	-----	-----

H2 } ALL DN
H3 } CHIP 1B2

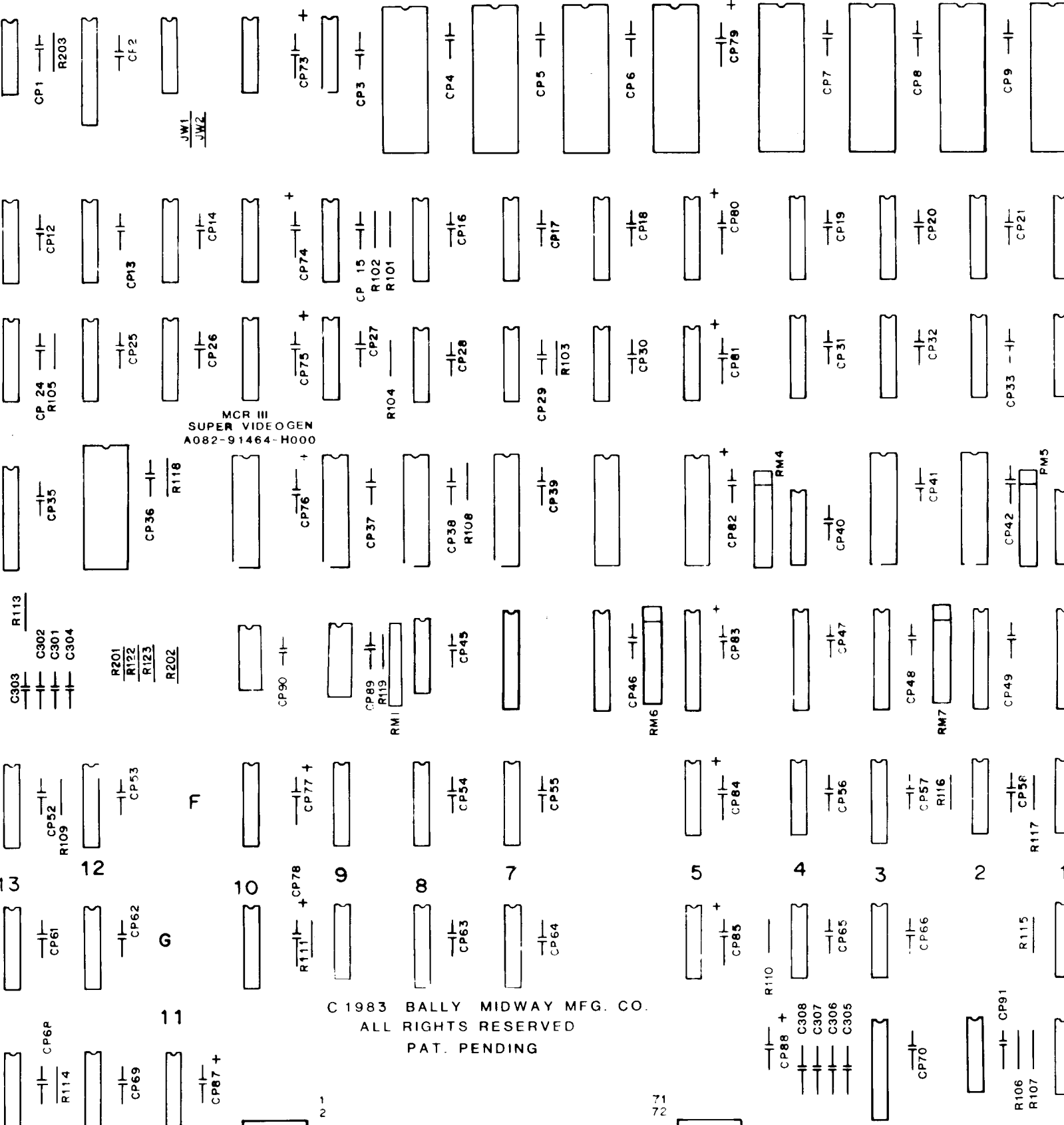


PROJECT ENG		R. WEYAND		USED ON DISC OF TRON		MIDWAY MFG. CO.	
REV	DATE	REV	DATE	REV	DATE	REV	DATE
1	8/22/83						
5 MHz CPU RINGS SCHEMATIC DWG				PART NO. M051-00301-4010			

DESIGNATION LIST

<u>DESIGNATION</u>	<u>DESCRIPTION</u>	<u>DESIGNATION</u>	<u>DESCRIPTION</u>
C101	.01 MF AX CER	IC 1D	7420
C301-C308	100 PF AX CER	IC 2D	93479
CP1-CP71	.01 MF AX CER	IC 3D	93479
CP72, CP86	100 MF AX ELECT.	IC 4D	7420
CP73-CP85, CP87, CP88	10 MF 25V AX TANT.	IC 5D	93479
CP89, CP90, CP91	.01MF AX. CER.	IC 6D	93479
		IC 7D	93422
		IC 8D	93422
		IC 9D	93422
R101-R111, R113- R121	1K OHM 1/4W	IC 10D	93422
R122, R123	560 OHM 1/4W	IC 12D	STAT. RAM
R200	100 OHM 1/4W	IC 13D	74LS245
R201, R202	82 OHM 1/4W		
R203	1K OHM 1/4W	IC 1E	74LS374
RM1	82 OHM 8 PIN SIP	IC 2E	74LS374
RM 2	1K 10 PIN SIP	IC 3E	74LS374
RM 3	1K 10 PIN SIP	IC 4E	74LS374
RM 4	1K 9 PIN SIP	IC 5E	74LS374
RM 5	1K 9 PIN SIP	IC 6E	74LS374
RM 6	1K 9 PIN SIP	IC 7E	74LS240
RM 7	1K 9 PIN SIP	IC 8E	74LS00
		IC 9E	74S161
IC 1A	EPROM	IC 10E	74S04
IC 2A	EPROM	IC 1F	74LS74
IC 3A	EPROM	IC 2F	74LS74
IC 4A	EPROM	IC 3F	74LS157
IC 5A	EPROM	IC 4F	74S00
IC 6A	EPROM	IC 5F	74LS32
IC 7A	EPROM	IC 7F	74LS283
IC 8A	EPROM	IC 8F	74LS175
IC 9A	74LS86	IC 9F	74LS157
IC 10A	74LS86	IC 10F	74LS157
IC 11A	74LS174	IC 12F	74LS157
IC 12A	74LS273	IC 13F	74LS157
IC 13A	74S04	IC 1G	74LS74
		IC 3G	74S08
		IC 4G	74LS30
IC 1B	74LS194	IC 5G	74LS30
IC 2B	74LS194	IC 7G	74LS283
IC 3B	74LS194	IC 8G	74LS174
IC 4B	74LS194	IC 9G	74LS10
IC 5B	74LS194	IC 10G	74LS157
IC 6B	74LS194	IC 12G	74LS157
IC 7B	74LS194	IC 13G	74LS157
IC 8B	74LS194		
IC 9B	74LS161	IC 1H	74LS32
IC 10B	74LS174	IC 2H	74S86
IC 11B	74LS174	IC 3H	74LS240
IC 12B	74S283	IC 11H	7420
IC 13B	74S283	IC 12H	7420
		IC 13H	74LS74
IC 1C	74LS258		
IC 2C	74LS258	ICS1A-ICS8A	28 PIN SOCKET
IC 3C	74LS258	ICS D2, D3, D5-D10	22 PIN SOCKET
IC 4C	74LS258	ICS D12	24 PIN SOCKET
IC 5C	74LS00		
IC 6C	74LS04	J5, J6, J7	KK100 RT. ANGLE 24 PI. CONN.
IC 7C	74LS74		
IC 8C	74LS30		
IC 9C	74LS169		
IC 10C	74LS169	JW 1, JW2	JUMPER WIRE
IC 11C	74LS169		
IC 12C	74LS169	MCR III SUPER VIDEO GEN.	A082-91464-H000
IC 13C	74S133		





MCR III
 SUPER VIDEOGEN
 A082-91464-H000

C 1983 BALLY MIDWAY MFG. CO.
 ALL RIGHTS RESERVED
 PAT. PENDING

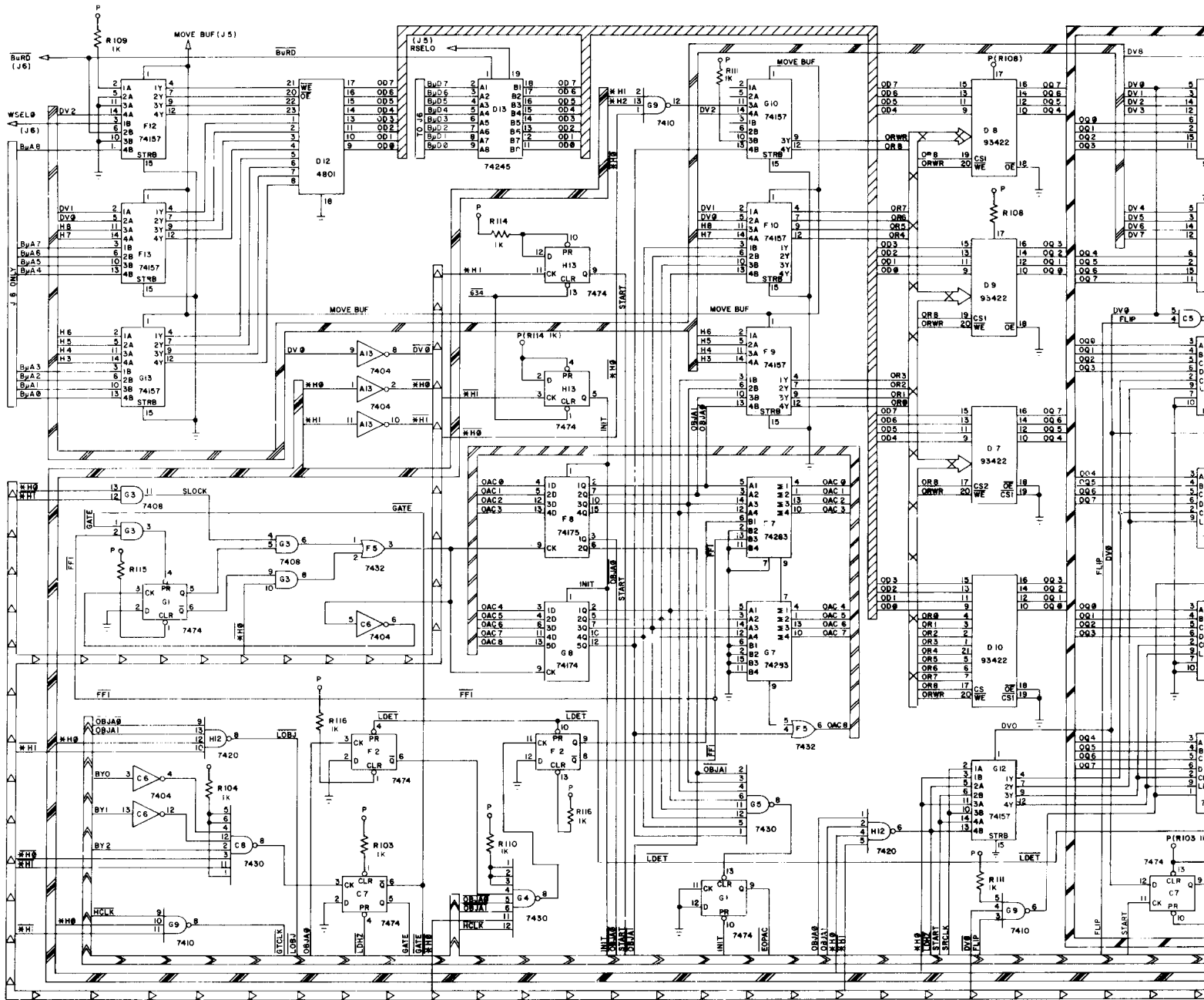
CROSS REFERENCE LIST

<u>DESCRIPTION</u>	<u>QTY</u>	<u>DESIGNATION NO.</u>	<u>PART NOS.</u>
CAP 100 PF	8	C301-C308	0986-00800-1000
CAP .01MF	75	C101, CP1-CP71, CP89, CP90, CP91	0986-00800-2500
CAP 10MF	15	CP73-CP85, CP87, CP88	0986-00800-2400
CAP 100MF	2	CP72, CP86	0986-00800-1800
82 OHM 1/4 W RES.	2	R201, R202	0062-104B3-1XXX
100 OHM 1/4 W RES.	1	R200	0062-110B3-1XXX
1K OHM 1/4 W RES.	21	R101-R111, R113- R121, R203	0062-179B3-1XXX
560 OHM 1/4 W RES.	2	R122, R123	0062-162B3-1XXX
8 PIN SIP 82 OHM	1	RM1	0333-00804-0004
9 PIN SIP 1K OHM	4	RM4-RM7	0304-00804-0002
10 PIN SIP 1K OHM	2	RM2, RM3	0986-00804-1000
74S00	1	4F	0304-00803-0047
74LS00	2	5C, 8E	0304-00803-0010
74S04	2	13A, 10E	0304-00803-0011
74LS04	1	6C	0304-00803-0012
74S08	1	3G	0304-00803-0037
74LS10	1	9G	0304-00803-0014
7420	4	1D, 4D, 11H, 12H	0304-00803-0015
74LS30	3	8C, 4G, 5G	0304-00803-0016
74LS32	2	5F, 1H	0304-00803-0017
74LS74	5	7C, 1F, 2F, 1G, 13H	0304-00803-0018
74S86	1	2H	0304-00803-0049
74LS86	2	9A, 10A	0304-00803-0019
74S133	1	13C	0304-00803-0020
74LS157	8	3F, 9F, 10F, 12F, 13F, 10G, 12G, 13G	0304-00803-0021
74S161	1	9E	0304-00803-0038
74LS161	1	9B	0304-00803-0022
74LS169	4	9C-12C	0304-00803-0023
74LS174	4	11A, 10B, 11B, 8G	0304-00803-0024
74LS175	1	8F	0304-00803-0025
74LS194	8	1B-8B	0304-00803-0026
74LS240	2	7E, 3H	0304-00803-0050
74LS245	1	13D	0304-00803-0027
74LS258	4	1C-4C,	0304-00803-0028
74LS273	1	12A	0304-00803-0029
74S283	2	12B, 13B	0304-00803-0039
74LS283	2	7F, 7G	0304-00803-0030
74LS374	6	1E-6E	0304-00803-0031
93422	4	7D-10D	0304-00803-0032
93479	4	2D, 3D, 5D, 6D	0304-00803-0033
STAT. RAM	1	12D	0304-00803-0034
EPROM KIT	8	1C1A-8A	0383-00803-0002
28 PIN SOCKET	8	1CS 1A-8A	0986-00804-0300
22 PIN SOCKET	8	1CS 2D, 3D, 5D, 6D, 7D-10D	0986-00804-0700
24 PIN SOCKET	1	1CS 12D	0986-00804-1600
KK100 RT. ANGLE	3	J5, J6, J7	0986-00804-4700
24 PIN CONN.			
JUMPER WIRE	2	JW1, JW2	0986-00805-0200
MCR III SUPER VIDEO GEN.			A082-91464-H000

CP10
A
CP22
B
CP34
C
CP43
D
CP50
E
CP59
F
CP67
G
CP71
H

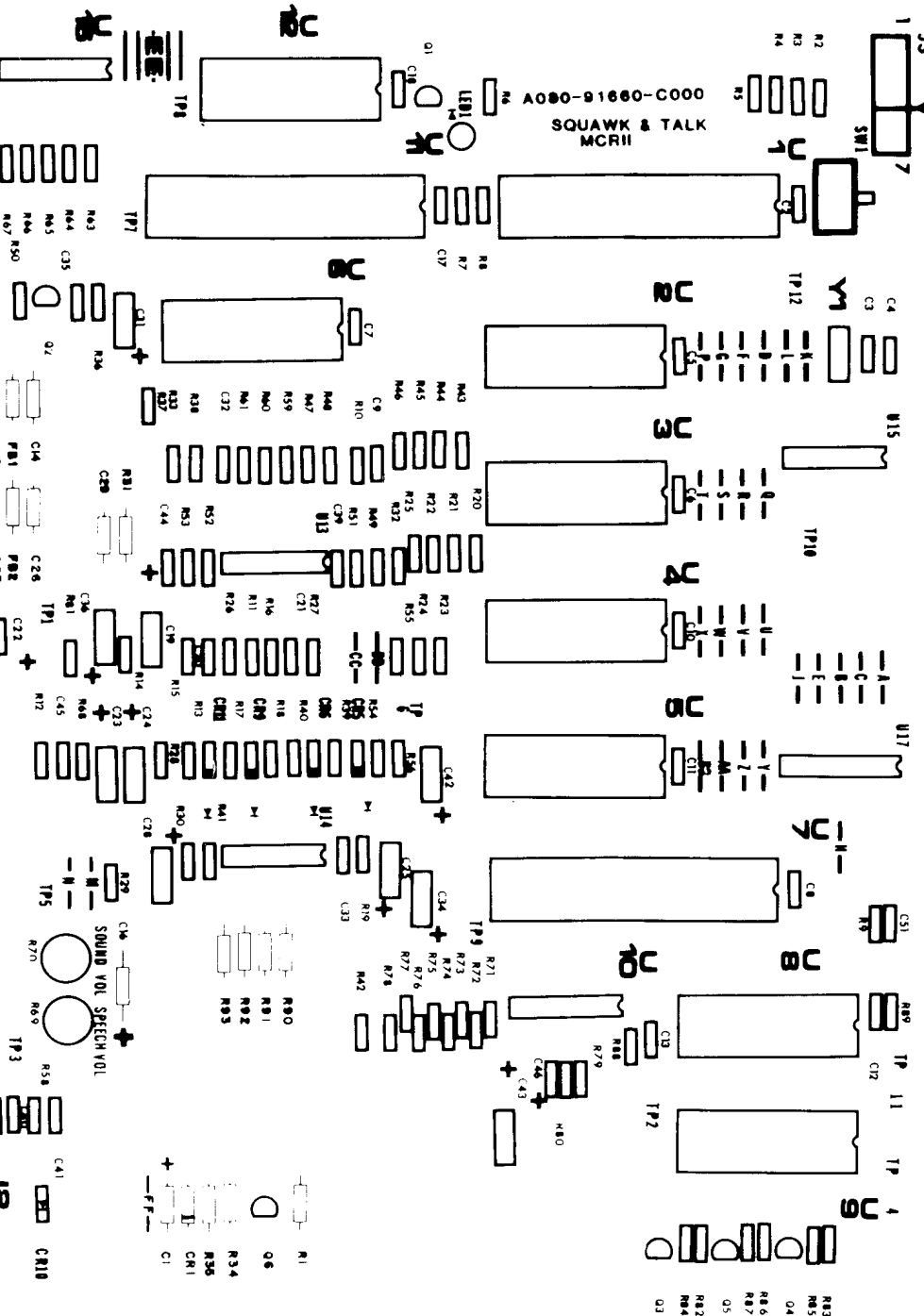
REVISIONS

USED ON DISCS OF TRON		<i>Bally</i> / MIDWAY MFG. CO. FRANKLIN PK ILL
SCALE FULL	NO. REQ'D PER	
SUPER VIDEO GEN. MCR III		PART NO
ASSY DWG		M051 - 00696 - A012
A082-91464-H000		



DESCRIPTION LIST

<u>DESIGNATION NO.</u>	<u>DESCRIPTION</u>	<u>DESIGNATION NO.</u>	<u>DESCRIPTION</u>
C1	10 MF TANT.	R54	82K 1/4W 5X
C2	.01 MF 25/50V CER	R55	10K 1/4W 5X
C3,C4	27 PF 100V AX CER	R56	2K 1/4W 5X
C5-C8	.01 MF 25/50V CER	R57	NOT USED
C9	470 PF 50V AX CER	R58	1K 1/4W 5X
C10,C11	.01 MF 25/50V CER	R59,R60	1 MEG
C12,C13	.1 MF 25V AX CER	R61	100K 1/4W 5X
C14,C15	390 PF 50V AX CER	R62	NOT USED
C16	100 MF TANT.	R63-R67	10K 1/4W 5X
C17,C18	.01 MF 25/50V CER	R68	510 OHM 1/4W 5X
C19	1 MF 25/50V ELECT	R69,R70	NOT USED
C20	470 PF 50V AX CER	R71-R78	10K 1/4W 5X
C21	68 PF 100V AX CER	R79	7.5K 1/4W 5X
C22	4.7 MF 25V TANT	R80	2K 1/4W 5X
C23	.47 MF 12/16V AX	R81	1K 1/4W 5X
C24,C25	1 MF 25/50V ELECT	R82	2.4K 1/4W 5X
C26,C27	390 PF 50V AX CER	R83	11K 1/4W 5X
C28	1 MF 25/50V ELECT	R84-R87	2.2K 1/4W 5X
C29	.0047 MF AX CER	R88,R89	220 OHM 1/4W 5X
C30	NOT USED	R90	220K 1/4W 5X
C31	NOT USED	R91-R93	100K 1/4W 5X
C32	68 PF 100V AX CER	RM1	4.7K 8 PIN SIP
C33	.1 MF 25V AX CER		
C34	1 MF 25/50V ELECT	CR1	1N4148 DIODE
C35	NOT USED	CR2-CR4	NOT USED
C36	NOT USED	CR5,CR6	1N4148 DIODE
C37	NOT USED	CR7,CR8	NOT USED
C38	NOT USED	CR9	1N4148 DIODE
C39	.1 MF 25V AX CER	CR10	1N4004 DIODE
C40	NOT USED	CR11	1N4148 DIODE
C41	.1 MF 25V AX CER		
C42	1 MF 25/50V ELECT	LED 1	GREEN LED
C43	2 MF 25V ELECT		
C44	NOT USED	Q1	2N3904 NPN TRANS.
C45,C46	.1 MF 25V AX CER	Q2	NOT USED
C47-C50	NOT USED	Q3,Q4	2N4403 PNP TRANS.
C51	10 PF 50V AX	Q5,Q6	2N3904 NPN TRANS.
R1	4.7K 1/4W 5X	U1	6802 CPU
R2-R5	3.3K 1/4W 5X	U2-U5	EPROM KIT
R6	160 OHM 1/4W 5X	U6	NOT USED
R7	8.2K 1/4W 5X	U7	6821 P.I.A.
R8	3.3K 1/4W 5X	U8	TMS 5200 SPEECH CHIP
R9	130K 1/4W 5X	U9	NOT USED
R10	10K 1/4W 5X	U10	AD 558
R11	330K 1/4W 5X	U11	6821 P.I.A.
R12	1K 1/4W 5X	U12	NOT USED
R13	200K 1/4W 5X	U13,U14	LM3900 QUAD OP-AMP
R14	1.8K 1/4W 5X	U15	74LS14 HEX SCHMIT INV.
R15	470K 1/4W 5X	U16	4049 HEX INV.
R16	180K 1/4W 5X	U17	74LS155 DEC/DMUIT
R17,R18	910K 1/4W 5X	FB1,FB2	FERRITE BEAD
R19	1K 1/4W 5X	ICS U1	40 PIN DIP SOCKET
R20	820K 1/4W 5X	ICS U2-U6	24 PIN DIP SOCKET
R21	390K 1/4W 5X	ICS U7	40 PIN DIP SOCKET
R22	200K 1/4W 5X	ICS U8	28 PIN DIP SOCKET
R23,R24	100K 1/4W 5X	ICS U9	NOT USED
R25,R26	1 MEG.	ICS U10	16 PIN DIP SOCKET
R27	1.2 MEG	ICS U11	40 PIN DIP SOCKET
R28	82K 1/4W 5X	ICS U12	NOT USED
R29	10K 1/4W 5X	J1	(17) KK156 AUTO INSERT PINS DELETE 11
R30	2K 1/4W 5X	J2	(9) KK156 AUTO INSERT PINS DELETE 3
R31	9.1K 1/4W 5X	JUMPER A-P,R-T,U-X,Z-FF	JUMPER TIN 22 AWG
R32	1 MEG.	JUMPER Q,U,Y	ZERO OHM JUMPER
R33	91K 1/4W 5X	Y1	3.58 MHZ CRYSTAL
R34,R35	10K 1/4W 5X	SW1	P.C.B. MOUNT SWITCH
R36	1K 1/4W 5X	A080-91660-C000	SQUAWK & TALK P.C.B
R37	NOT USED		
R38	200K 1/4W 5X		
R39,R40	910K 1/4W 5X		
R41	200K 1/4W 5X		
R42	1K 1/4W 5X		
R43	820K 1/4W 5X		
R44	390K 1/4W 5X		
R45	200K 1/4W 5X		
R46	100K 1/4W 5X		
R47	2.7K 1/4W 5X		
R48	2.4K 1/4W 5X		
R49	1 MEG		
R50	NOT USED		
R51	750K 1/4W 5X		
R52	NOT USED		
R53	NOT USED		



DESCRIPTION	QTY	DESIGNAT
10 PF 50V AX CER	1	C51
27 PF 100V AX CER	2	C3, C4
68 PF 100V AX CER	2	C21, C32
390 PF 50V AX CER	4	C14, C15,
470 PF 50V AX CER	2	C9, C20
.0047 UF	1	C29
.01 MF 25/50V CER	9	C2, C5-C8
.1 MF 25V AX CER	7	C17, C18
.47 MF 12/16V TANT	1	C12, C13,
1 MF 25/50V ELECT	6	C41, C45,
2 MF 25V ELECT	1	C23
4.7 MF 25V TANT	1	C19, C24,
10 MF 25/35V TANT	1	C34, C42
100 MF 25/35V TANT	1	C43
160 OHM 1/4W 5%	1	R6
220 OHM 1/4W 5%	2	R88, R89
510 OHM 1/4W 5%	1	R68
1K OHM 1/4W 5%	6	R12, R19,
1.8K OHM 1/4W 5%	1	R58, R81
2K OHM 1/4W 5%	3	R14
2.2K OHM 1/4W 5%	3	R30, R56,
2.4K OHM 1/4W 5%	4	R84-R87
2.7K OHM 1/4W 5%	1	R48, R82
3.3K OHM 1/4W 5%	5	R47
4.7K OHM 1/4W 5%	1	R2-R5, R8
7.5K OHM 1/4W 5%	1	R1
8.2K OHM 1/4W 5%	1	R79
9.1K OHM 1/4W 5%	1	R7
10K OHM 1/4W 5%	16	R31
11K OHM 1/4W 5%	1	R10, R29,
82K OHM 1/4W 5%	2	R63-R67,
91K OHM 1/4W 5%	1	R83
100K 1/4W 5%	9	R28, R54
130K OHM 1/4W 5%	1	R33
180K OHM 1/4W 5%	1	R23, R24,
200K OHM 1/4W 5%	5	R46, R61,
220K OHM 1/4W 5%	1	R9
330K OHM 1/4W 5%	1	R16
390K OHM 1/4W 5%	2	R13, R22,
470K OHM 1/4W 5%	1	R45
750K OHM 1/4W 5%	1	R90
820K OHM 1/4W 5%	2	R11
910K OHM 1/4W 5%	4	R21, R44
1 MEG.	6	R15
1.2 MEG.	1	R51
		R20, R43
		R17, R18,
		R25, R26,
		R59, R60
		R27

PROJECT ENG: R. KOHAN

DO NOT SCALE DWG

DIM TOLERANCES UNLESS SPECIFIED

DATE 08/12/83

DRN: TB6

CHKD:

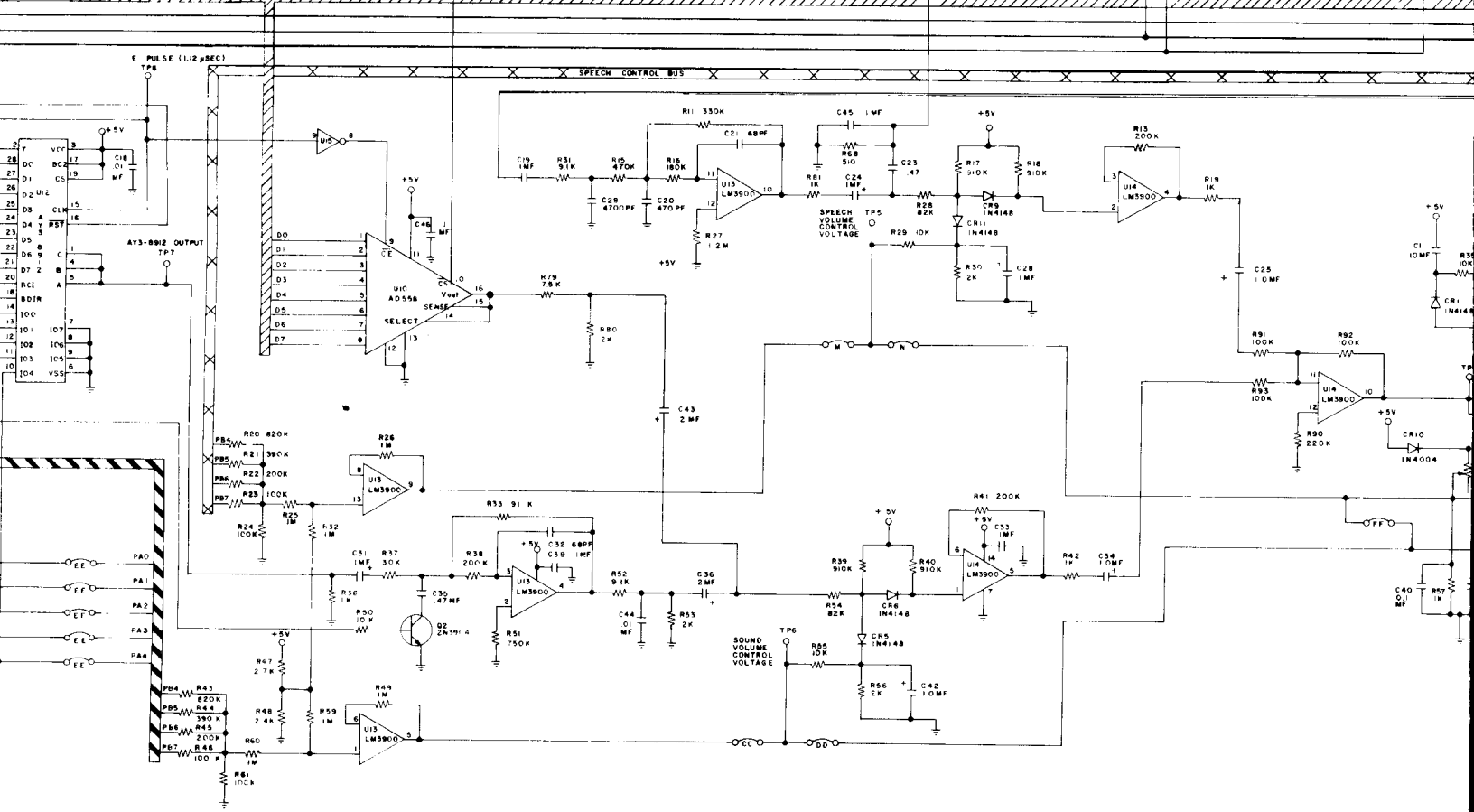
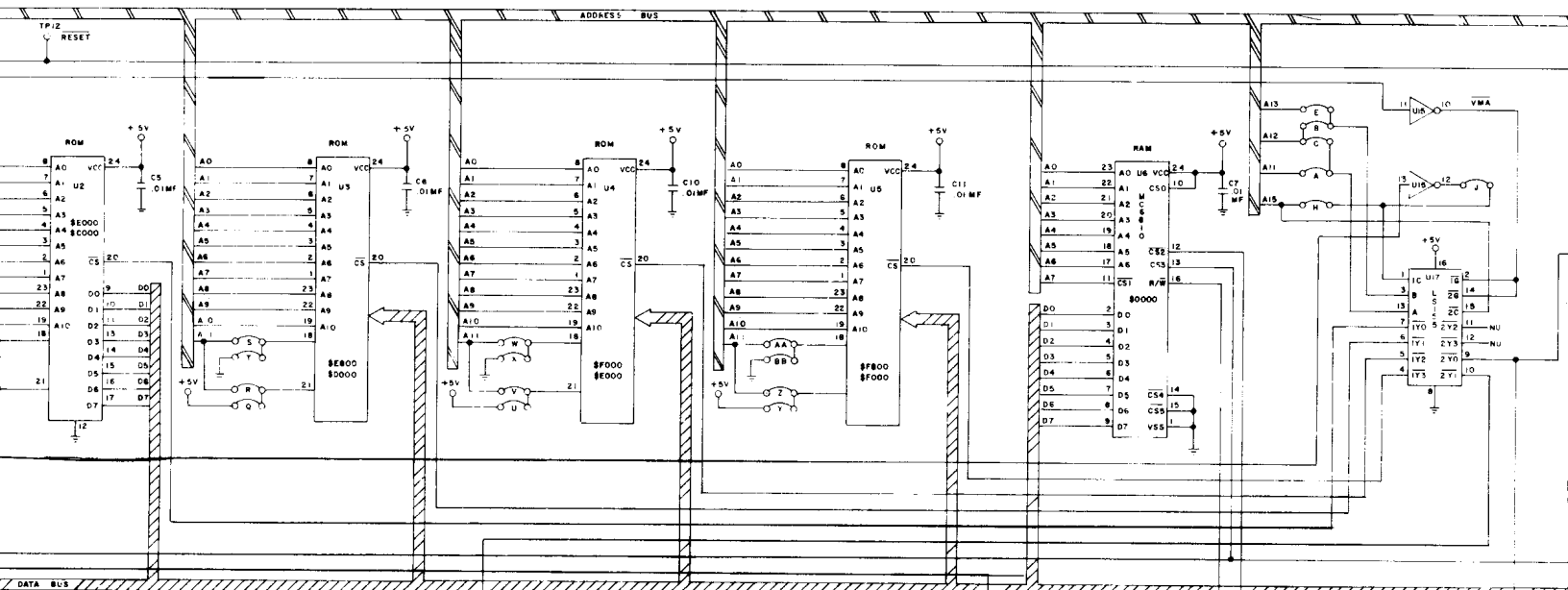
DATE 08/12/83

CROSS REFERENCE LIST

<u>DESIGNATION NO.</u>	<u>PART NOS.</u>	<u>DESCRIPTION</u>	<u>QTY</u>	<u>DESIGNATION NO.</u>	<u>PART NOS.</u>
51	0360-00800-0038	4.7K S.I.P.	1	RM1	0986-00804-5000
3,C4	0360-00800-0009				
21,C32	0360-00800-0010	1N4004 DIODE	1	CR10	0360-00801-0002
14,C15,C26,C27	0360-00800-3000	1N4148 DIODE	5	CR1,CR5,CR6,CR9	0360-00801-0003
9,C20	0360-00800-0002			CR11	
29	0986-00800-3506				
2,C5-C8,C10,C11	0360-00800-0005	LED, GREEN	1	LED 1	0360-00804-0015
17,C18					
2,C13,C33,C39,	0360-00800-0014	2N3904 NPN	3	Q1,Q5,Q6	0360-00802-0003
1,C45,C46		2N4403 PNP	2	Q3,Q4	0360-00802-0004
23	0360-00800-0017				
9,C24,C25,C28,	0360-00800-0018	AD559 D.A.C.	1	U10	0360-00803-0033
14,C42		LM3900 QUAD OP-AMP	2	U13,U14	0360-00803-0002
3	0360-00800-0019	4049 HEX INV	1	U16	0360-00803-0011
22	0360-00800-0008	74LS14 HEX SCHMIT	1	U15	0360-00803-0037
6	0986-00800-3505	INV.			
	0986-00800-3504	74LS155 DEC DMULT	1	U17	0360-00803-0034
		TMS 5200 SPEECH	1	U8	0360-00803-1013
	0062-124B3-1XXX	CHIP			
8,R89	0062-133B3-1XXX	MC 6802 CPU	1	U1	0986-00803-1012
8	0062-159B3-1XXX	MC 6821 P.I.A.	2	U7,U11	0360-00803-0017
2,R19,R36,R42	0062-179B3-1XXX				
8,R81		FERRITE BEAD	2	FB1,FB2	0316-00804-0002
4	0062-191B3-1XXX				
0,R56,R80	0062-193B3-1XXX	16 PIN DIP SOCKET	1	ICS U10	0360-00804-0026
4-R87	0062-195B3-1XXX	24 PIN DIP SOCKET	5	ICS U2-U6	0360-00804-0017
8,R82	0062-197B3-1XXX	28 PIN DIP SOCKET	1	ICS U82	0360-00804-0028
7	0062-199B3-1XXX	40 PIN DIP SOCKET	3	ICS U1,U7,U11	0360-00804-0018
-R5,R8	0062-203B3-1XXX				
9	0062-211B3-1XXX	KK156 AUTO	26	J1,J2	0017-00033-0480
1	0062-221B3-1XXX	INSERT PINS			
0,R29,R55,	0062-223B3-1XXX	JUMPER TIN 22 AWG	31	A-P,R-T,U-X,Z-FF	0069-230XX-XBKX
3-R67,R71-R78	0062-225B3-1XXX	ZERO OHM JUMPER	3	JUMPERS Q,U,Y	0360-00804-0023
3	0062-227B3-1XXX				
8,R54	0062-229B3-1XXX	3.58 MHZ CRYSTAL	1	Y1	0360-00804-0019
3	0062-271B3-1XXX	P.C.B. MOUNT SWITCH	1	SWI	0017-00032-0038
3,R24,R34,R35,	0062-273B3-1XXX	SQUAWK & TALK P.C.B.	1		A080-91660-C000
6,R61,R91-R93	0062-275B3-1XXX				
6	0062-282B3-1XXX				
3,R22,R38,R41	0062-287B3-1XXX				
5	0062-289B3-1XXX				
0	0062-291B3-1XXX				
1	0062-299B3-1XXX				
1,R44	0062-303B3-1XXX				
5	0062-307B3-1XXX				
1	0062-317B3-1XXX				
0,R43	0062-319B3-1XXX				
7,R18,R39,R40	0062-321B3-1XXX				
5,R26,R32,R49	0062-323B3-1XXX				
9,R60					
7	0062-327B3-1XXX				

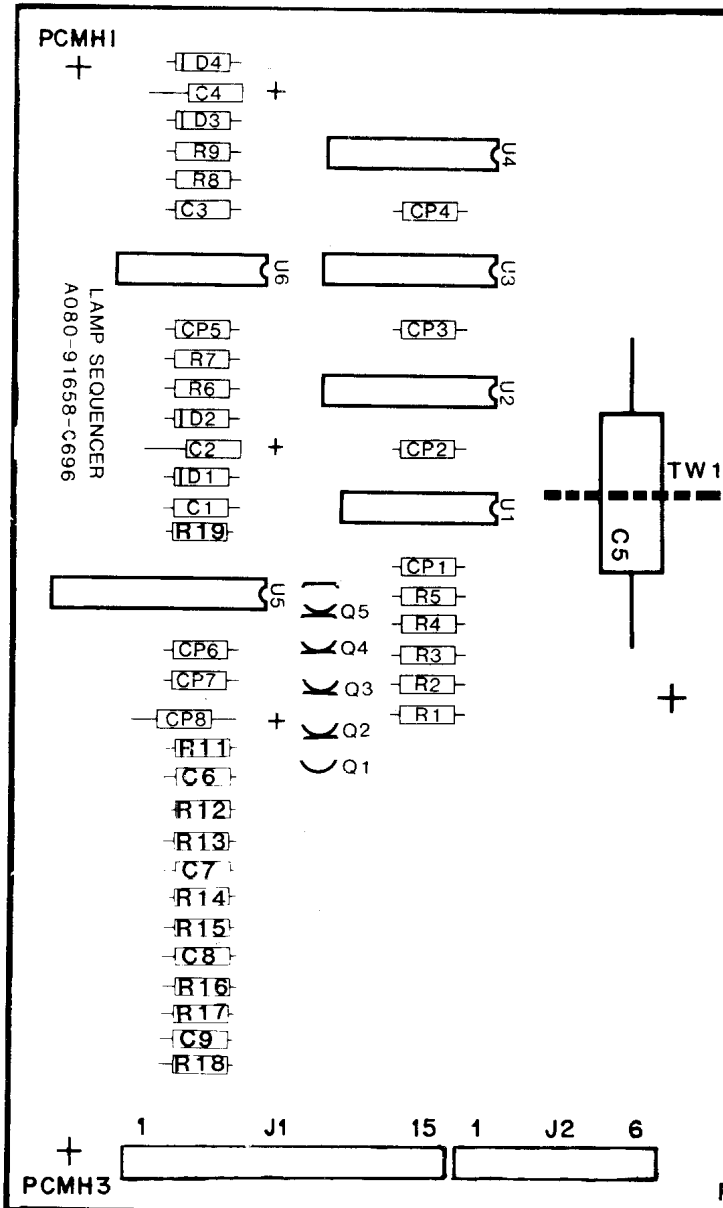
REVISIONS			

		USED ON MCR II		Bally / MIDWAY MFG. CO. FRANKLIN PK. ILL
HEAT TREAT	SCALE	NO. REQ'D PER		
	FULL			PART NO M051 - 00986 - C036
MAT'L.	SQUAWK & TALK			
FINISH	ASSEMBLY DWG			
2/83	A084-91660-C000			



DESIGNATION LIST

<u>DESIGNATION NO.</u>	<u>DESCRIPTION</u>
C1	.01 MF 50V AX CER
C2	10 MF 25V AX TANT
C3	.01 MF 50V AX CER
C4	10 MF 25V AX TANT
C5	4700 MF 25V AX ELEC
C6-C9	100 PF 50V AX CER
CP1-CP7	.01 MF 50V AX CER
CP8	10 MF 16V AX ELEC
R1-R5	160 OHM 1/4W 5%
R6,R7	10K OHM 1/4W 5%
R8,R9	5.1K OHM 1/4W 5%
R10	2.2 OHM 1W 5%
R11	10K OHM 1/4W 5%
R12	100K OHM 1/4W 5%
R13	10K OHM 1/4W 5%
R14	100K OHM 1/4W 5%
R15	10K OHM 1/4W 5%
R16	100K OHM 1/4W 5%
R17	10K OHM 1/4W 5%
R18	100K OHM 1/4W 5%
R19	10K OHM 1/4W 5%
D1-D4	1N4148 DIODE
Q1-Q5	MPS 2222A TRANS
U1	7406
U2	BI-POLAR PROM
U3	74160
U4	74LS157
U5	74HC374
U6	556
ICS U2	IC SOCKET
J1	.025 SQ AUTO WIRE
J2	.045 SQ AUTO WIRE
PCMH1-PCMH4	SPACER #8
PC BOARD	A080-91658-C696



PROJECT ENG: J. BOYDSTON	
DO NOT SCALE DWG.	
DIM. TOLERANCES UNLESS SPECIFIED	DRN. <i>TBB</i>
CONCENTRICITY ± R .00	CKD. <i>JB</i>
FRACTIONAL ± 1/64	DATE 8/03/83
DECIMAL ± .005	
HOLE DIA ± .002 .000	

CROSS REFERENCE LIST

<u>DESCRIPTION</u>	<u>QTY</u>	<u>DESIGNATION NO.</u>	<u>PART NOS.</u>
100 PF 50V AX CER	4	C6-C9	0639-00800-0003
.01 MF 50V AX CER	9	C1,C3,CP1-CP7	0628-00800-0100
10 MF 16V AX ELEC	1	CP8	0628-00800-0300
10 MF 25V AX TANT	2	C2,C4	0696-00800-0001
4700 MF 25V AX ELEC	1	C5	0383-00800-0006
2.2 OHM 1W 5%	1	R10	0062-034F3-1XXX
160 OHM 1/4W 5%	5	R1-R5	0062-124B3-1XXX
5.1 OHM 1/4W 5%	2	R8,R9	0062-213B3-1XXX
10K OHM 1/4W 5%	7	R6,R7,R11,R13, R15,R17,R19	0062-227B3-1XXX
100K OHM 1/4W 5%	4	R12,R14,R16,R18	0062-275B3-1XXX
1N4148 DIODE	4	D1-D4	0696-00801-0001
MPS 2222A TRANS	5	Q1-Q5	0639-00802-0001
556	1	U6	0696-00803-0003
7406	1	U1	0696-00803-0005
74LS157	1	U4	0696-00803-0004
74160	1	U3	0696-00803-0006
74HC374	1	U5	0696-00803-0001
BI-POLAR PROM	1	U2	0696-00803-0002
IC SOCKET 16 PIN	1	ICS U2	0986-00804-3700
.025 SQ AUTO WIRE	14	J1	0017-00033-0479
.045 SQ AUTO WIRE	5	J2	0017-00033-0480
SPACER #8	4	PCMH1-PCMH4	0017-00042-0320
PC BOARD	1		A080-91658-C696

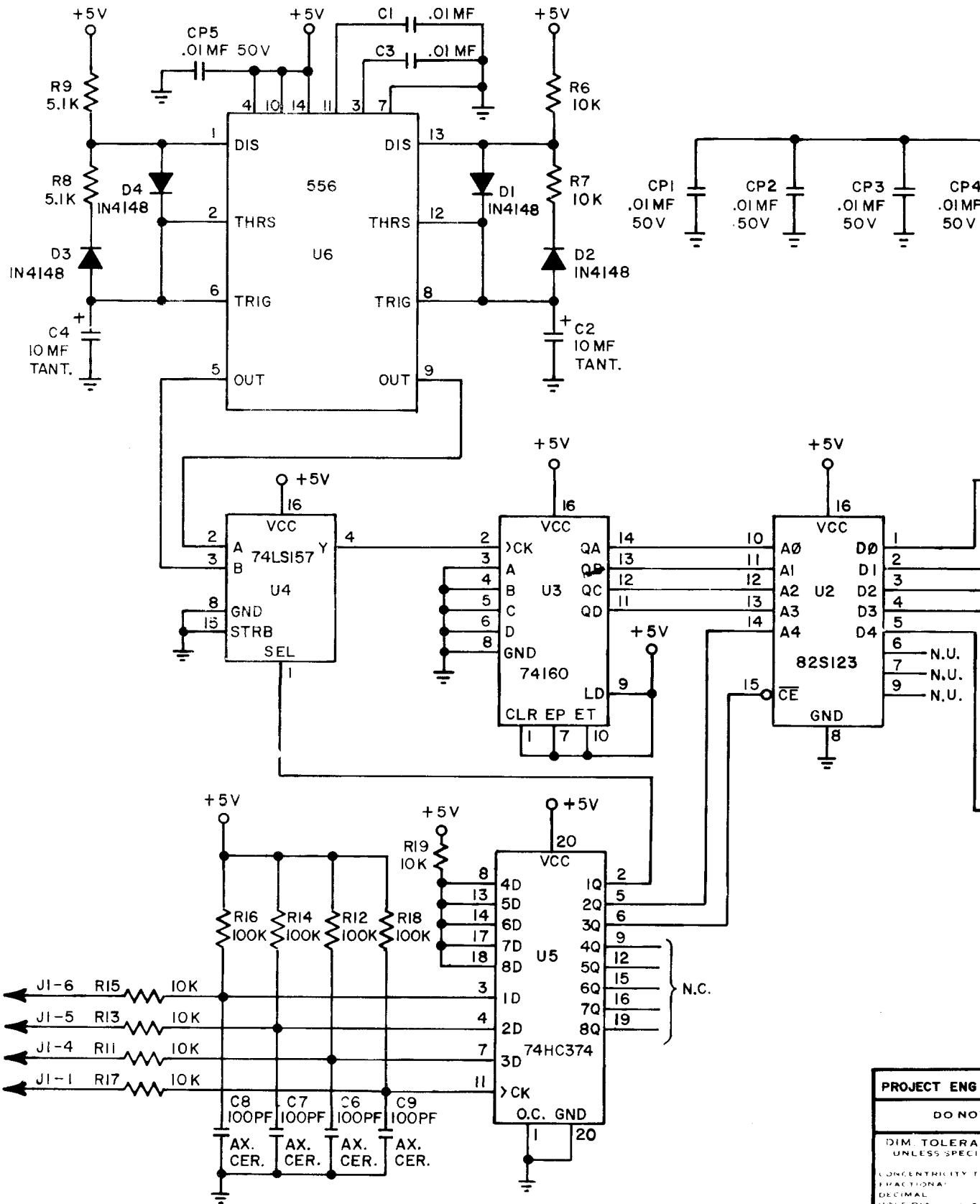
MH2
+

R10

MH4

REVISIONS	

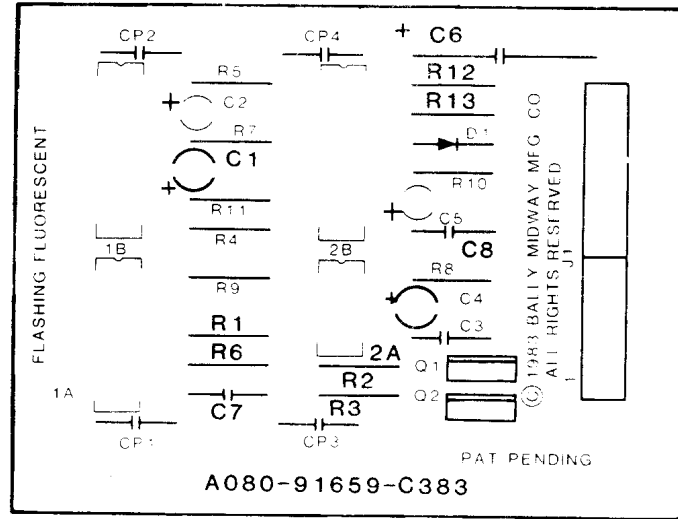
HEAT TREAT	SCALE	USED ON RINGS		<i>Bally</i> / MIDWAY MFG. CO. FRANKLIN PK. ILL.
	FULL	NO. REQ'D	PER	
MAT'L.	LAMP SEQUENCER ASSEMBLY DWG A080-91658-C696			PART NO.
FINISH				M051 - 00696 - C009



PROJECT ENG
DO NOT
DIM. TOLERA
UNLESS SPECI
LONG CENTRICITY T
FRACTIONAL
DECIMAL
HOLE DIA + 0

DESIGNATION LIST

<u>DESIGNATION NO.</u>	<u>DESCRIPTION</u>
C1, C2	1.0 MF TANT
C3	0.1 MF AX CER
C4	1.0 MF TANT
C5	10 MF TANT
C6	100 MF TANT
C7, C8	100 PF AX CER
CP1-CP4	0.1 MF AX CER
R1	10K OHM 1/4 5%
R2, R3	200 OHM 1/4 5%
R4	100K OHM 1/4 5%
R5	15K OHM 1/4 5%
R6	100K OHM 1/4 5%
R7	1K OHM 1/4 5%
R8, R9	56K OHM 1/4 5%
R10	470K OHM 1/4 5%
R11	1K OHM 1/4 5%
R12	100K OHM 1/4 5%
R13	10K OHM 1/4W 5%
D1	1N4148 DIODE
Q1, Q2	TIP 110 NPN DARLING XSTR
1A	74LS74
2A	555 TIMER
1B	74123
2B	4050
J1	.045 SQ AUTO WIRE
	FLASHING FLUOR. R.C.B.



PROJECT ENG: M. STEINMETZ	
DO NOT SCALE DVS	
DIM TOLERANCES UNLESS SPECIFIED	DRN. <i>RLW</i>
DATE ENTERED BY: <i>M.S.</i>	CKD. <i>M.S.</i>
DATE: 8/18/83	DATE: 8/18/83

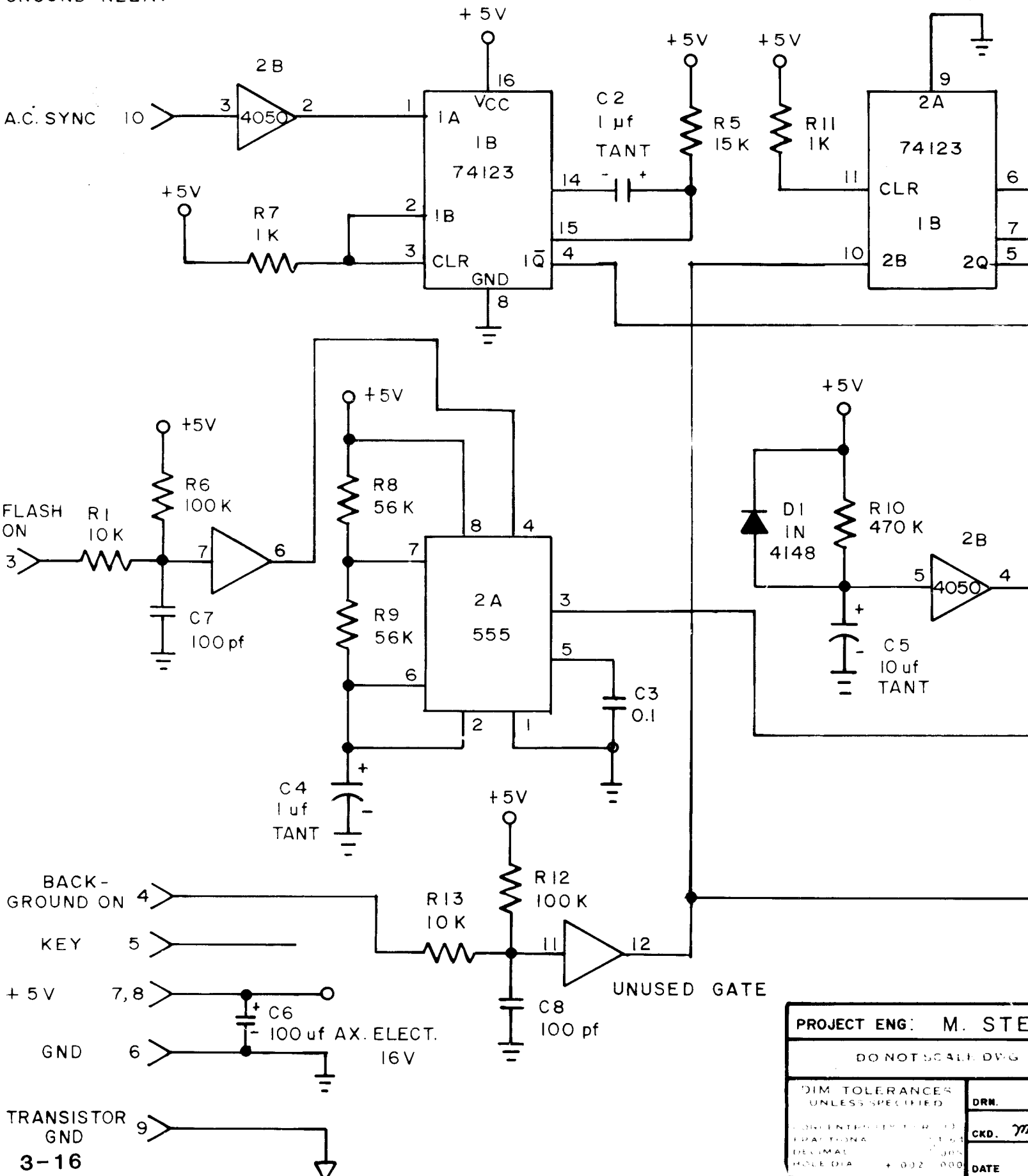
CROSS REFERENCE LIST

<u>DESCRIPTION</u>	<u>QTY</u>	<u>DESIGNATION NO.</u>	<u>PART NOS.</u>
100 PF AX CER	2	C7, C8	0383-00800-0001
0.1 MF AX CER	5	CP1-CP4, C3	0383-00800-0002
1.0 MF TANT	3	C1, C2, C4	0383-00800-0003
10 MF TANT	1	C5	0383-00800-0004
100 MF AX ELEC	1	C6	0383-00800-0005
200 OHM 1/4W 5%	2	R2, R3	0062-130B3-1XXX
1K OHM 1/4W 5%	2	R7, R11	0062-179B3-1XXX
10K OHM 1/4W 5%	2	R1, R13	0062-227B3-1XXX
15K OHM 1/4W 5%	1	R5	0062-235B3-1XXX
56K OHM 1/4W 5%	2	R8, R9	0062-263B3-1XXX
100K OHM 1/4W 5%	3	R4, R6, R12	0062-275B3-1XXX
470K OHM 1/4W 5%	1	R10	0062-307B3-1XXX
1N4148 DIODE	1	D1	0383-00801-0001
TIP 110 XSTR	2	Q1, Q2	0383-00802-0001
74123	1	1B	0383-00803-0019
4050	1	2B	0383-00803-0020
555	1	2A	0383-00803-0021
74LS74	1	1A	0383-00803-0022
.045 SQ AUTO WIRE	9	J1	0017-00033-0480
FLASHING FLUOR.	1		A080-91659-C383

REVISIONS		

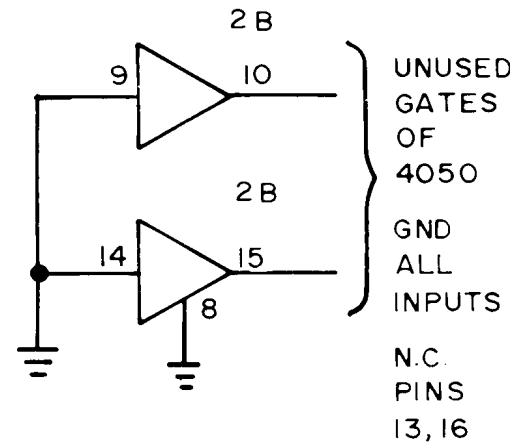
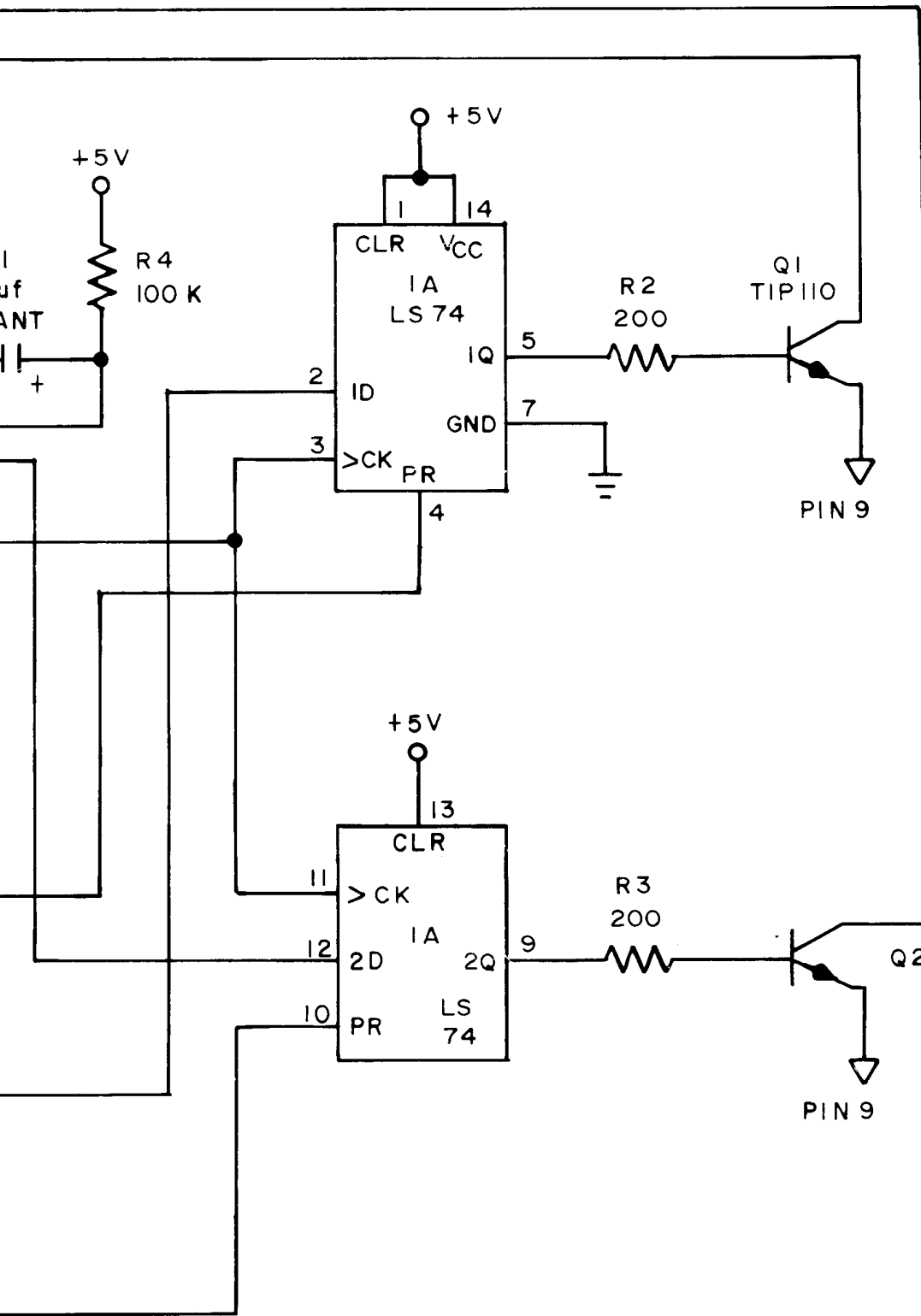
HEAT TREAT		USED ON		<i>Bally</i> / MIDWAY MFG. CO. <small>FRANKLIN PK ILL</small>
SCALE FULL		NO. REQ'D PER		
MATERIAL		FLASHING FLUORESCENT ASSEMBLY DWG. A080-91659-C383		PART NO. M051-00383-C008
FINISH				

TO STROBE RELAY 2
 TO BACK-GROUND RELAY 1



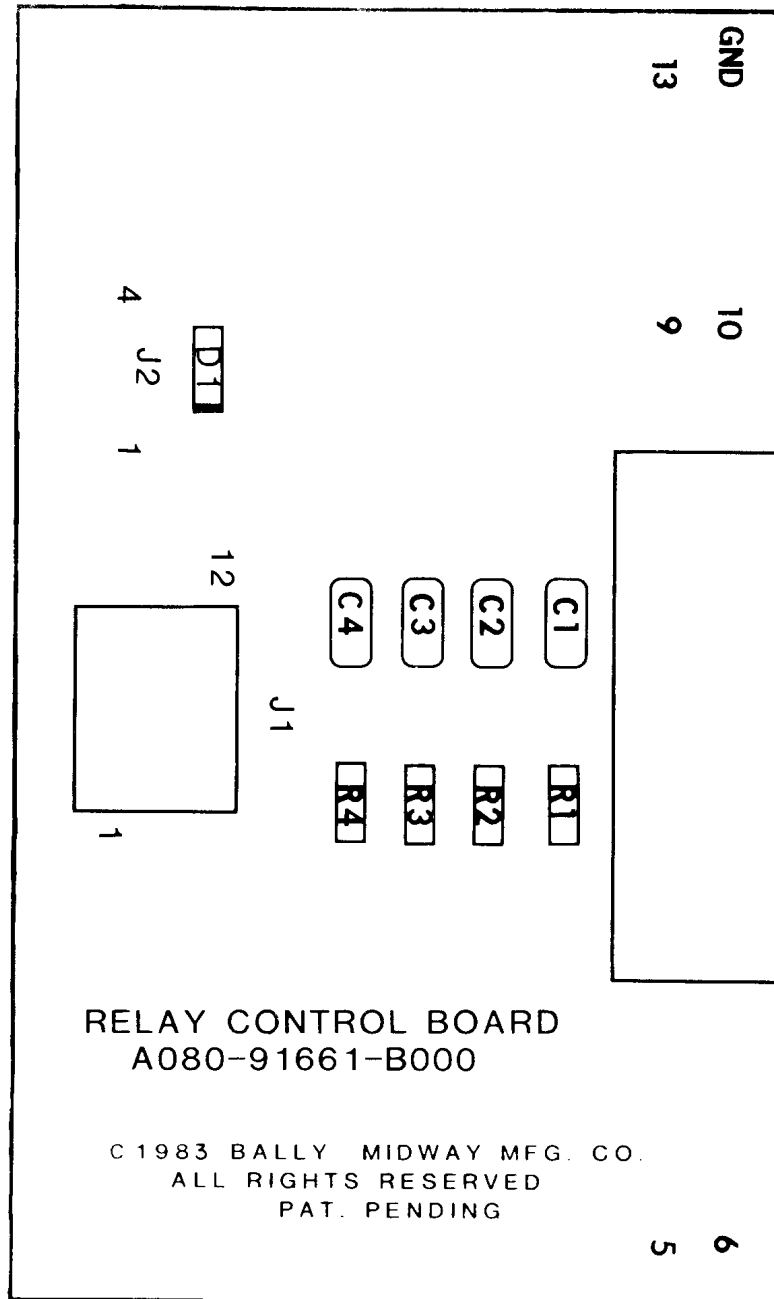
TRANSISTOR GND 9
 3-16

PROJECT ENG: M. STE	
DO NOT SCALE DWG	
DIM TOLERANCES UNLESS SPECIFIED	DRN.
CONVERTED BY: [unclear]	CKD. [unclear]
DECIMAL [unclear]	DATE [unclear]
HOLE DIA. +0.02 0.00	



IMETZ		USED ON		REVISIONS	
HEAT TREAT	SCALE	NO. REQ'D		PART NO.	
	FULL	1 PER		M051 - 00383 - C009	
MAT'L.	FLASHING FLUORESCENT SCHEMATIC DWG			FRANKLIN PK ILL	
FINISH	A084 - 91659 - C383				
18/83					
				Bally / MIDWAY MFG. CO.	

<u>DESIGNATION NO.</u>	<u>DESCRIPTION</u>
C1-C4	0.1 MF 400V RAD
R1-R4	10 OHM 1/2W 5%
D1	1N4004
RE1	RELAY
RES1	RELAY SOCKET
J1	12 PIN M-N-L
J2	.045 SQ AUTO WIRE
1-12	WIRE & SPADE LUG
13, 14	WIRE & SPADE LUG
GND	WIRE & SPADE LUG
	RELAY CONTROL P.C.B.



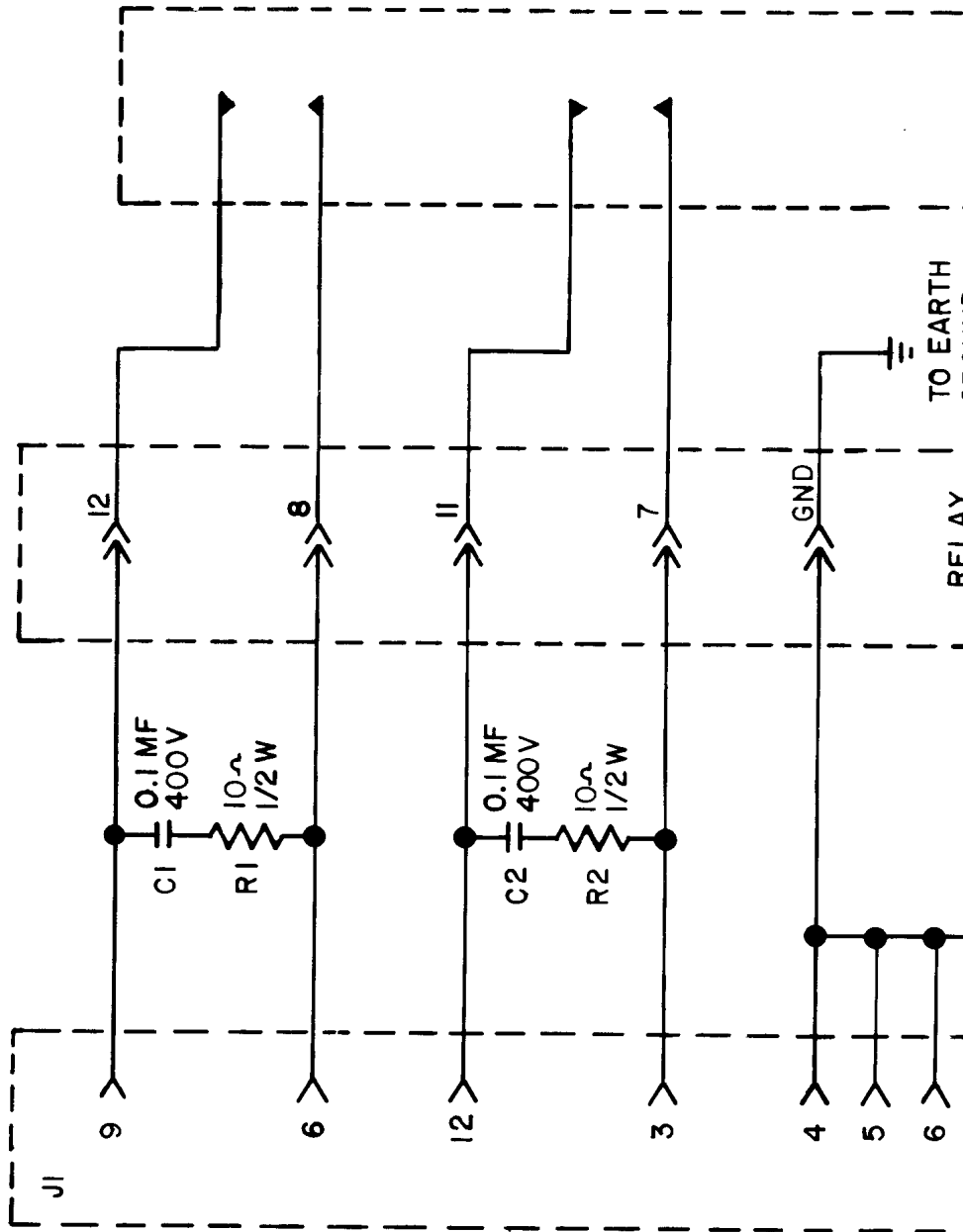
PROJECT ENG: M. STEINMETZ	
DO NOT SCALE DIMS	
DIM TOLERANCES UNLESS SPECIFIED	DRM. <i>RLW</i>
DESIGNED BY: <i>RLW</i>	CKD. <i>M.D.S.</i>
DATE	7/26/8

<u>DESCRIPTION</u>	<u>QTY</u>	<u>DESIGNATION NO.</u>	<u>PART NOS.</u>
0.1 MF 400V RAD	4	C1-C4	0383-00800-0007
10 OHM 1/2W 5%	4	R1-R4	0062-051D3-1XXX
1N4004	1	D1	0383-00801-0002
12 PIN M-N-L	1	J1	0017-00021-0964
.045 SQ AUTO WIRE	3	J2	0017-00033-0480
RELAY	1	RE1	0383-00804-0001
RELAY SOCKET	1	RES1	0383-00804-0002
WIRE & SPADE LUG	8	1-12	A089-00034-0044
WIRE & SPADE LUG	2	13,14	A084-00034-0045
WIRE & SPADE LUG	1	GND	A084-00034-0046
RELAY CONTROL P.C.B.	1		A080-91661-B000

14
12
RELAY SOCKET 1
8

REVISIONS

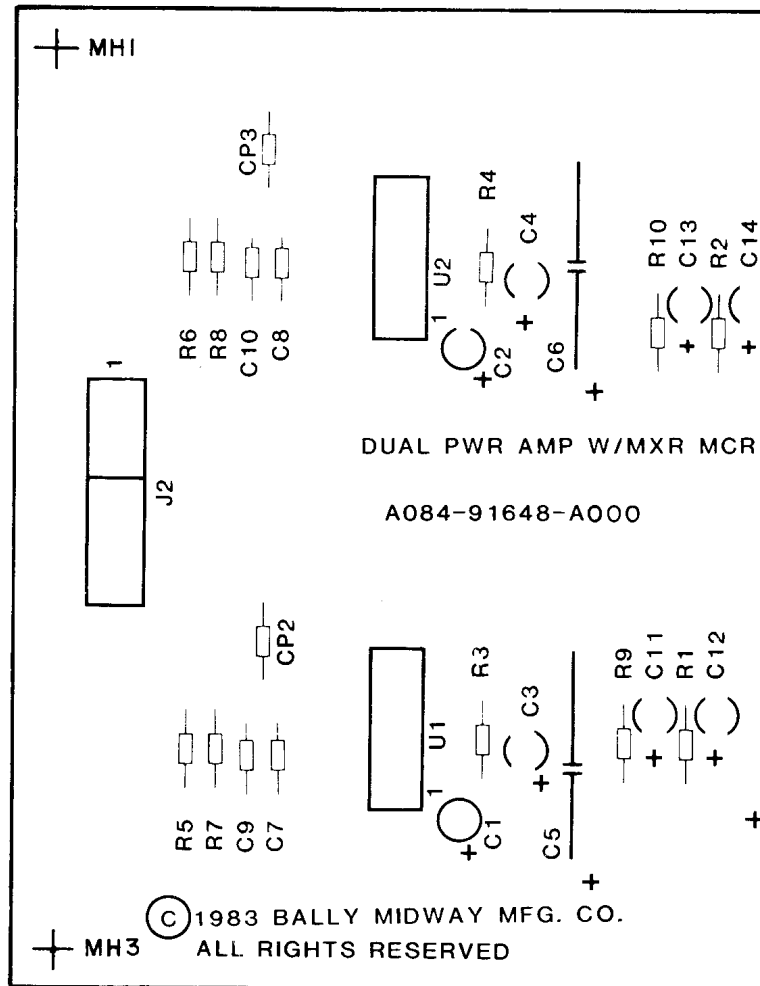
HEAT TREAT		SCALE FULL		USED ON DISC OF TRON		<i>Bally</i> / MIDWAY MFG. CO. FRANKLIN PK ILL	
MAT'L.		NO. REQ'D 1 PER		PART NO.			
FINISH		RELAY CONTROL BOARD ASSEMBLY DWG. A080-91661-B000				M051-00114-B088	



PROJECT ENG: M. STEINMETZ	
DO NOT SCALE DWG	
DIM TOLERANCES UNLESS SPECIFIED:	DRM. <i>RLW</i>
CONCENTRICITY 0.0005	CKD. <i>M.G.D.</i>
FRATERNAL 0.0005	DATE 07/20/83
MAXIMAL 0.005	
MOLE D.A. + 0.02 0.00	

DESIGNATION LIST

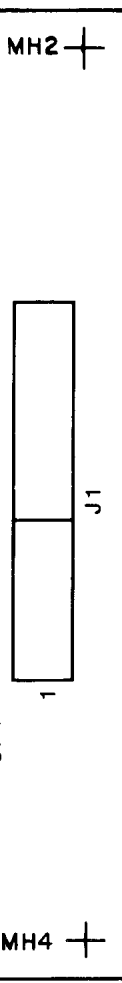
<u>DESIGNATION NO.</u>	<u>DESCRIPTION</u>
C1,C2	4.7 MF 25V RD TANT.
C3,C4	22 MF 6V RD TANT.
C5,C6	470 MF 6V AX ELECT.
C7-C10	.1 MF 50V AX CR.
C11-C14	4.7 MF 25V RD TANT
CP1	220 MF 25V AX ELECT.
CP2,CP3	.1 MF 50V AX CR.
R1,R2	2.7K OHM 1/4W 5% CRBN.
R3,R4	27 OHM 1/4W 5% CRBN.
R5-R8	1 OHM 1/2W 5% CRBN.
R9,R10	2.7K OHM 1/4W 5%
U1,U2	MB3730
J1	.045 SQ. PIN
J2	.045 SQ. PIN
HSU1,U2	HEATSINK ASSY
MH1-MH4	1/4" SPACER FOR #8 SCREW
DUAL PWR AMP W/MXR	A080-91648-A000



PROJECT ENG: C. MEDNICK	
DO NOT SCALE DIMS	
DIM TOLERANCES UNLESS SPECIFIED	DRN. <i>RLW</i>
UNLESS OTHERWISE SPECIFIED	CKD.
DATE	07/05/8

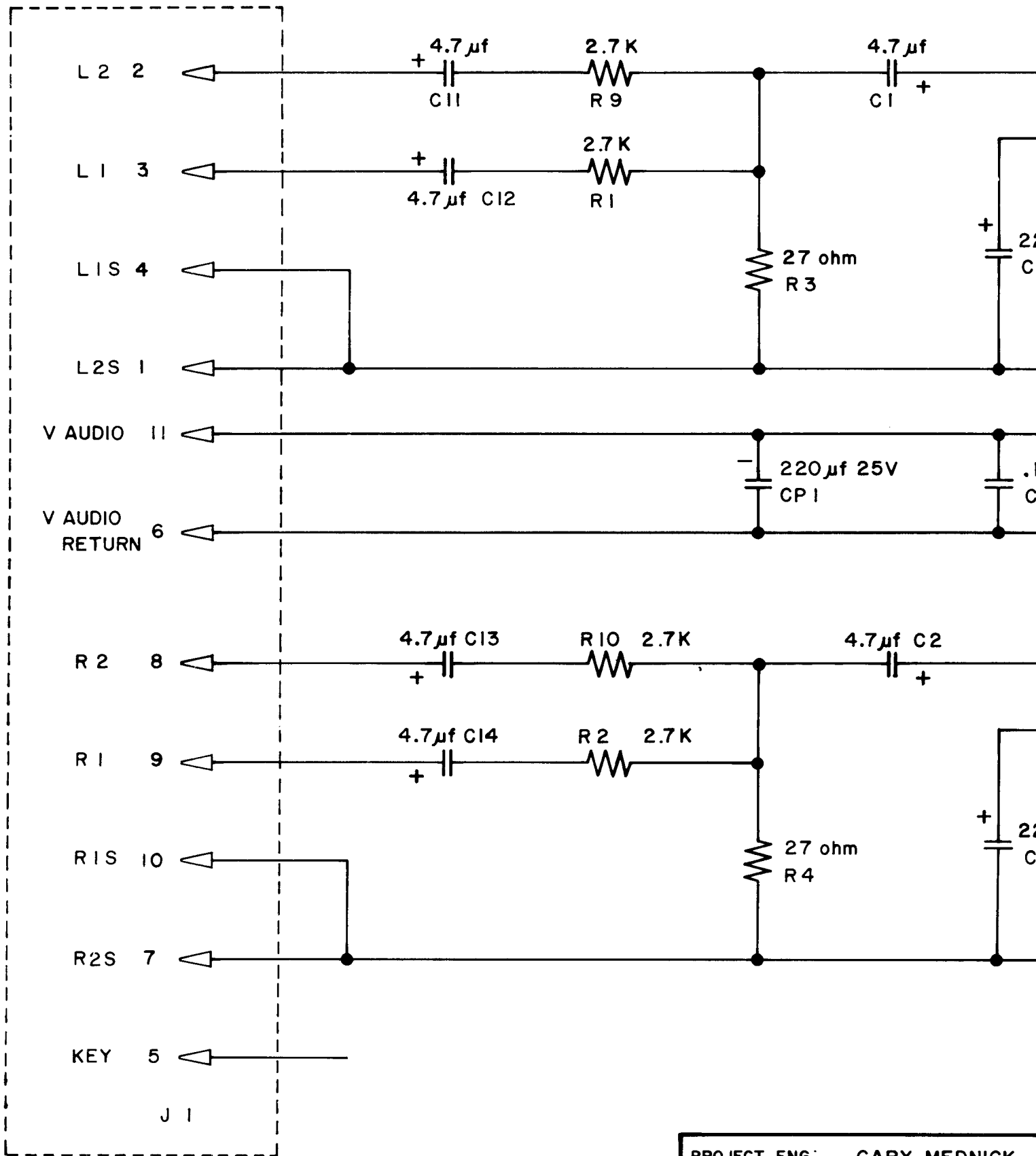
CROSS REFERENCE LIST

<u>DESCRIPTION</u>	<u>QTY</u>	<u>DESIGNATION NO.</u>	<u>PART NOS.</u>
.1 MF 50V AX CR.	6	C7-C10, CP2, CP3	0986-00800-1100
4.7 MF 25V RD TANT.	6	C1, C2, C11-C14	0986-00800-3100
22 MF 6V RD TANT	2	C3, C4	0986-00800-1600
220 MF 25V AX ELECT.	1	CP1	0986-00800-3200
470 MF 6V AX ELECT.	2	C5, C6	0986-00800-1700
1 OHM 1/2W 5%	4	R5-R8	0062-026D3-1XXX
27 OHM 1/4W 5%	2	R3, R4	0062-068B3-1XXX
2.7K 1/4W 5%	4	R1, R2, R9, R10	0062-199B3-1XXX
MB3730	2	U1, U2	0066-188XX-XX4X
.045 SQ. PIN	5	J2	0017-00033-0480
.045 SQ. PIN	10	J1	0017-00033-0480
HEATSINK ASSY	2	HSU1, HSU2	A986-00010-0000
1/4" SPACER FOR #8 SCREW	4	MH1-MH4	0017-00042-0320
DUAL PWR AMP W/MXR	1		A080-91648-A000

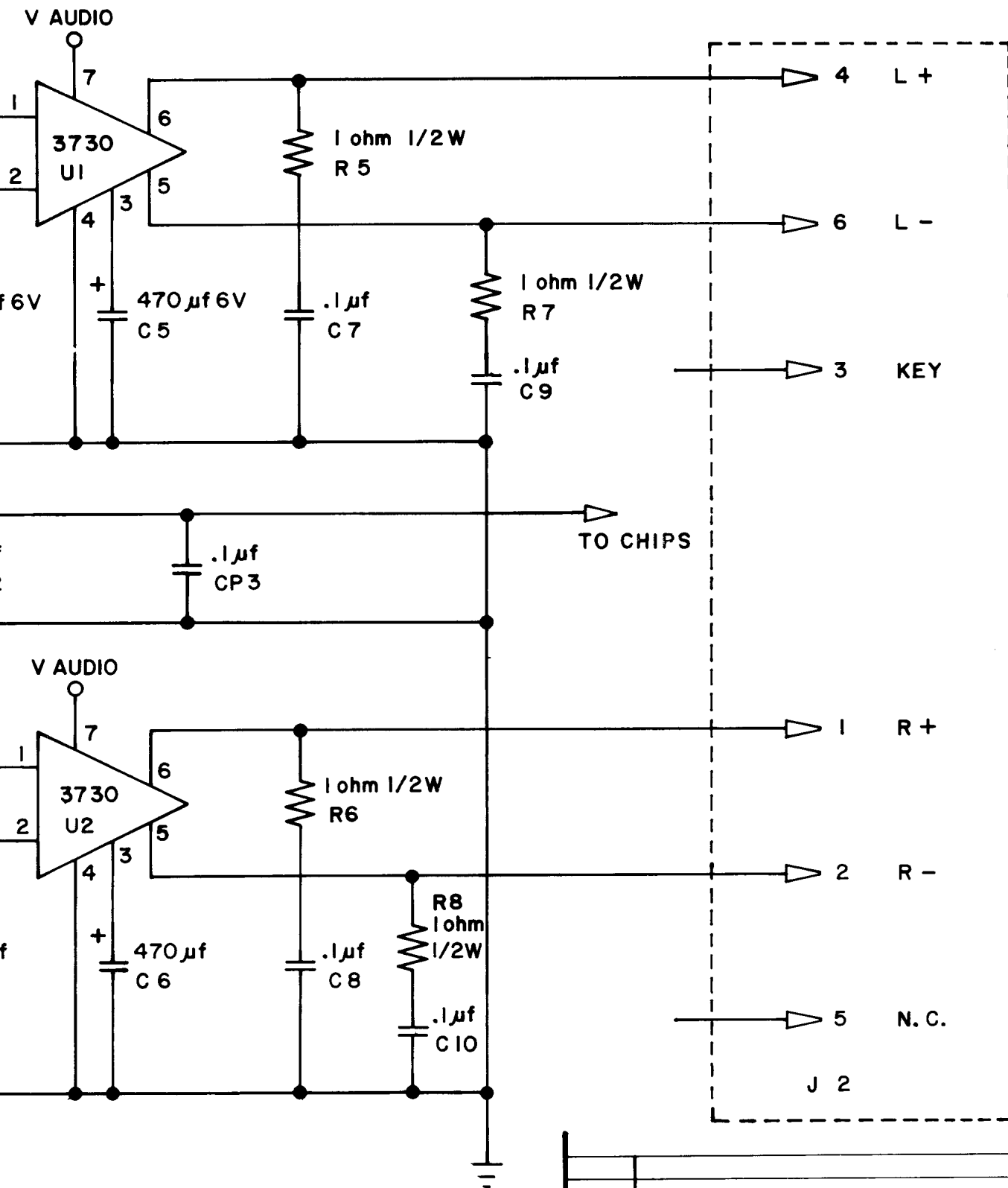


REVISIONS		

HEAT TREAT		SCALE FULL		USED ON MCR III	<i>Bally</i> / MIDWAY MFG. CO. FRANKLIN PK. ILL.
MAT'L.		NO. REQ'D 1 PER			
FINISH		ASSEMBLY DWG. DUAL POWER AMP W/ MIXER MCR III A080-91648-A000			PART NO. M051 - 00304 - A012

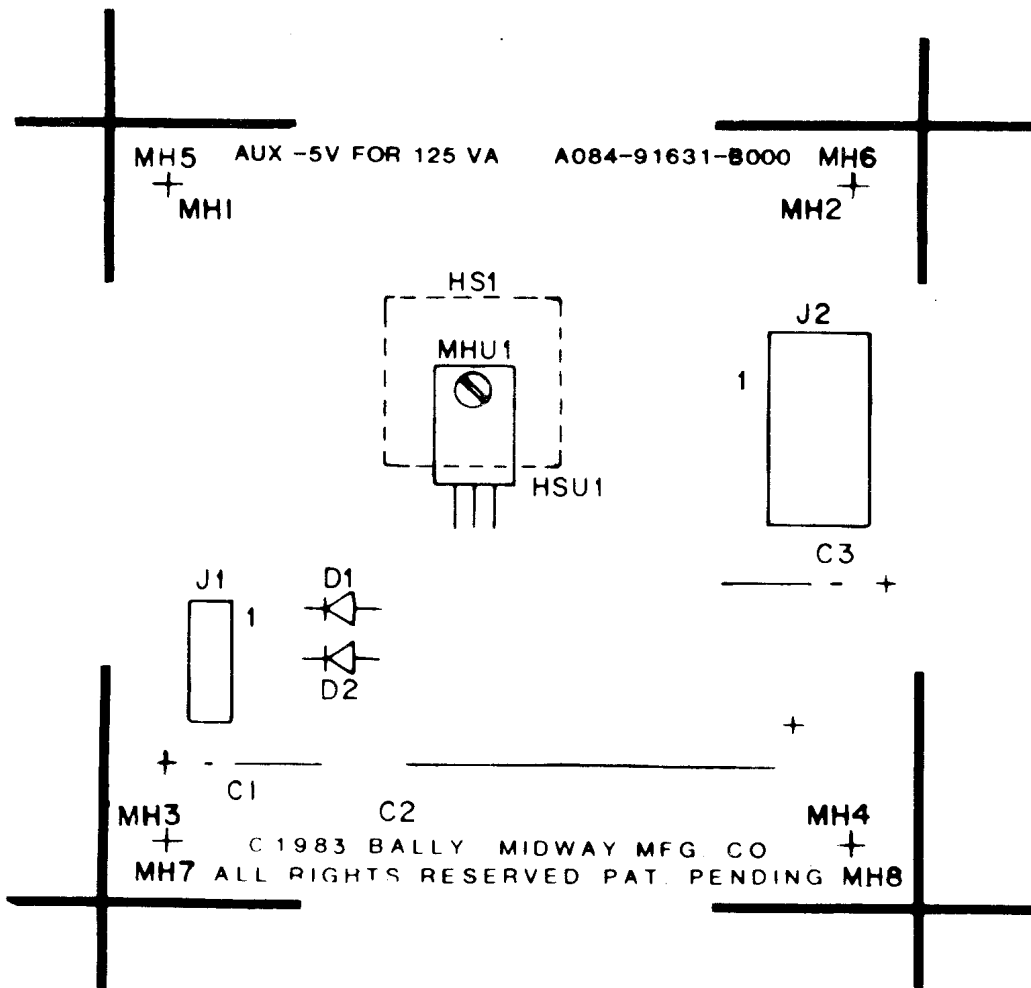


PROJECT ENG: CARY MEDNICK	
DO NOT SCALE DWG.	
DIM. TOLERANCES UNLESS SPECIFIED	DRW. <i>FAK</i>
CONCENTRICITY T. R. 0.03	CKD. <i>[Signature]</i>
FRACTIONAL 1/64	DATE 6/30/83
DECIMAL 0.05	
HOLE DIA +0.02 0.00	



REVISIONS		

HEAT TREAT		SCALE		USED ON	MCR/III	<i>Bally</i> / MIDWAY MFG. CO. FRANKLIN PK. ILL.
MAT'L.		FINISH		NO. REQ'D	1 PER	
SCHEMATIC DRAWING				PART NO.		M051 - 00304 - A013
DUAL PWR AMP W/MXR MCR III						
A084-91648-A000						



CROSS REFERENCE

DESCRIPTION

- 0.1 MF CER.
- 2.2 MF TANT.
- 2200 MF ELECT.
- 1N4004 DIODE
- 79M05 VOLTAGE REGULATOR
- HEATSINK, CLIP ON
- SCREW
- NUT
- WASHER
- KK156 4 PIN AMPHENOL 3 PIN CONNECTOR
- SPACER
- AUX. -5V FOR P.C. BOARD

DESIGNATION LIST

<u>DESIGNATION NO.</u>	<u>DESCRIPTION</u>
C1	2.2 MF TANT.
C2	2200 MF 25V ELECT.
C3	.1 MF CER.
D1, D2	1N4004 DIODE
HSU1	79M05 VOLTAGE REGULATOR
HS1	HEATSINK, CLIP ON
MHU1	(1) SCREW (1) NUT (1) WASHER
J1	KK156 4 PIN CONN.
J2	AMPHENOL 3 PIN CONNECTOR
MH1-4	SPACER
A080-91631-B000	AUX. -5V FOR 125VA P.C. BOARD

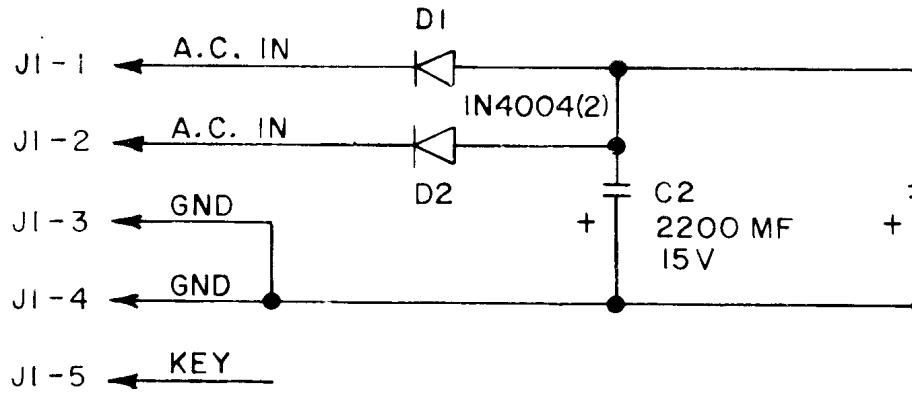
PROJECT ENG: J. JARON	
DO NOT SCALE DWS	
DIM. TOLERANCES UNLESS SPECIFIED	DRN.
DATE	CKD.
DATE	05/18/83

ANCE LIST

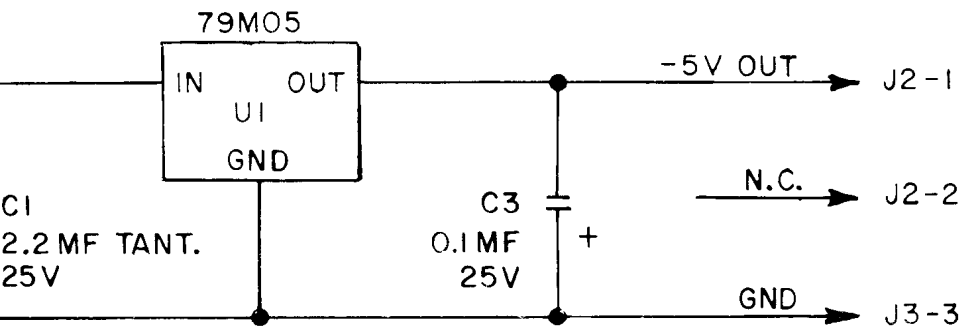
	<u>QTY</u>	<u>DESIGNATION NO.</u>	<u>PART NOS.</u>
	1	C3	0945-00816-1905
	1	C1	0945-00816-1904
	1	C2	0945-00816-1903
	2	D1, D2	0636-00801-0300
	1	HSU1	0945-00813-0601
ON	1	HS1	0068-065XX-ABAX
	1	MHU1	0017-00101-0518
	1		0017-00103-0003
	1		0017-00104-0003
YN.	3	J1	0017-00033-0480
	1	J2	0017-00021-0443
	4	MH1-MH4	0017-00042-0328
5VA	1		A080-91631-B000

REVISIONS		

HEAT TREAT		USED ON PROF. PAC.		<i>Bally</i> / MIDWAY MFG. CO. FRANKLIN PK ILL	
SCALE FULL		NO. REQ'D 1 PER			
MATERIAL		ASSEMBLY DWG. AUX. -5V FOR 125 VA A084 - 91631 - B000		PART NO.	
FINISH				M051 - 00114 - A074	



PROJECT ENG: J. JARON			
DO NOT SCALE DWG		HEAT TREAT	SCALE FULL
DIM TOLERANCES UNLESS SPECIFIED <small> DECIMALS .00 FRACTIONS 1/64 ANGLES .005 HOLE DIA + .002 0.00 </small>	DRN. <i>RLW</i>	MAT'L.	SCHEMATIC AUX -5 A084-9
	CKD.	FINISH	
	DATE 05/04/83		

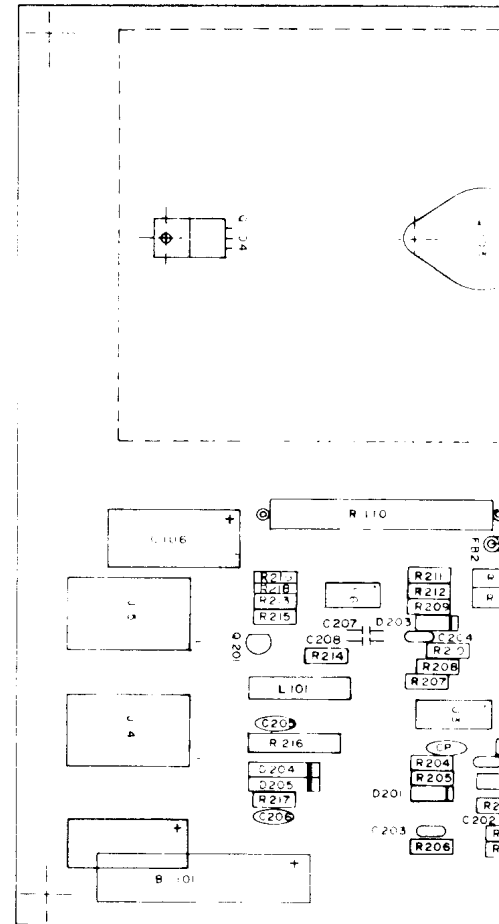


REVISIONS		

USED ON	<i>Bally</i> / MIDWAY MFG. CO. FRANKLIN PK ILL
NO. REQ'D PER	
C DWG. FOR 125VA S31-A000	PART NO. M051 - 00114 - A075

DESIGNATION LIST

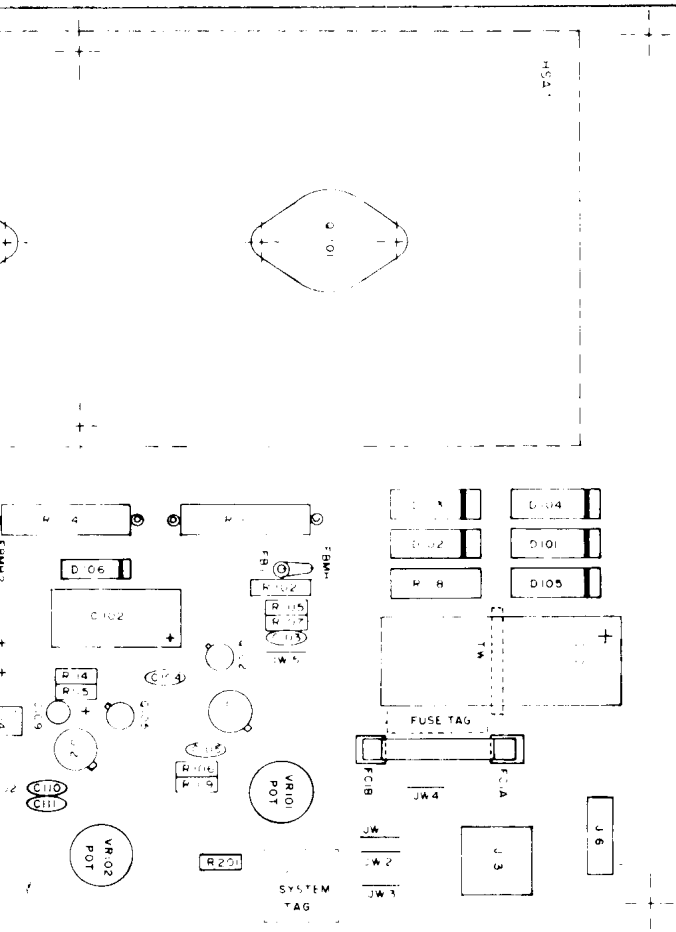
DESIGNATION	DESCRIPTION	DESIGNATION	DESCRIPTION
C101	4700uf AX ELECT.	R117	560ohm 1/4W 5%
C102	470uf AX ELECT.	R118	150ohm 2W
C103	.1uf AX CER	R201	270ohm 1/4W 5%
C104	.1uf AX CER	R202	1.2K 1/4W 5%
C105	47pf AX CER	R203	1.1M 1/4W 5%
C106	470uf AX ELECT.	R204	3.3M 1/4W 5%
C107	100uf RD. TANT	R205	10M 1/4W 5%
C108	1uf RD. TANT	R206	100K 1/4W 5%
C109	4.7uf RD. TANT	R207	33K 1/4W 5%
C110	.1uf AX CER	R208	2M 1/4W 5%
C111	.1uf AX CER	R209	1M 1/4W 5%
C201	.01uf MYLAR	R210	1.2M 1/4W 5%
C202	.033uf MYLAR	R211	75K 1/4W 5%
C203	.01uf MYLAR	R212	75K 1/4W 5%
C204	.047uf MYLAR	R213	220K 1/4W 5%
C205	820pf AX. CER.	R214	3.9K 1/4W 5%
C206	.01uf AX CER.	R215	1.2K 1/4W 5%
C207	0.082uf MYLAR	R216	82ohm 1W 10%
		R217	270ohm 1/4W 5%
		R218	110K 1/4W 5%
		R219	68ohm 1/2W 5%
		VR101,102	100ohm POT
CP1	1uf AX CER		
R101	18ohm 5W W/RECS SPACER	D101	A15F
R102	68ohm 1/2W 5%	D102	A15F
R104	10ohm 5W W/RECS SPACER	D103	A15F
R105	27ohm 1/4W 5%	D104	A15F
R106	270ohm 1/4W 5%	D105	A15F
R107	6.2K 1/4W 5%	D106	1N4001
		D201	1N4148
		D202	1N4148
		D203	1N4148
		D204	1N4001
		D205	1N4001
R109	1K 1/4W 5%	Q102	2N2905
R110	16ohm 15W W/REG SPACER	Q105	2N2905
R111	6.8ohm 1/2W 5%	Q201	2N4401
R112	68ohm 1/2W 5%		
R113	1.2K 1/4W 5%	U1	LM305 REG
R114	47ohm 1/4W 5%	U2	LM305 REG
R115	160ohm 1/4W 5%	U3	LM3900
		U4	1N28
		U6	555
		L101	22uH INDUCTOR
		B101	BATTERY 3.6VDC 60DEG C
		F1	0.8A S BLO FUSE
		FC1A,1B	FUSE CLIP
		FE1,2	FERRITE BEAD
		TW1	TIE WRAP
		J3	9PIN P.C. MOUNT CONN (MALE)
		J4	15PIN P.C. MOUNT CONN (FEMALE)
		J5	15PIN P.C. MOUNT CONN (MALE)
		J6	3PIN P.C. MOUNT CONN (MALE)
		LB1	FUSE TAG
		LB2	SYSTEM TAG
		HSA1	HEAT SINK ASS'Y 1
		MHSA1	MOUNTING HARDWARE (HEAT SINK) 2 SCREW 4 WASHER 2 HEXNUT
		JW1-5	JUMPER WIRE
		FBMH1,2	FERRITE BEAD MOUNTING HARDWARE



PROJ. ENG: L. DEKKER

DATE: 5/14/82 DRAWN: <i>SLB</i> CHECKED:	FULL ASSEMBLY	5/14/82
--	---------------	---------

CROSS REFERENCE LIST



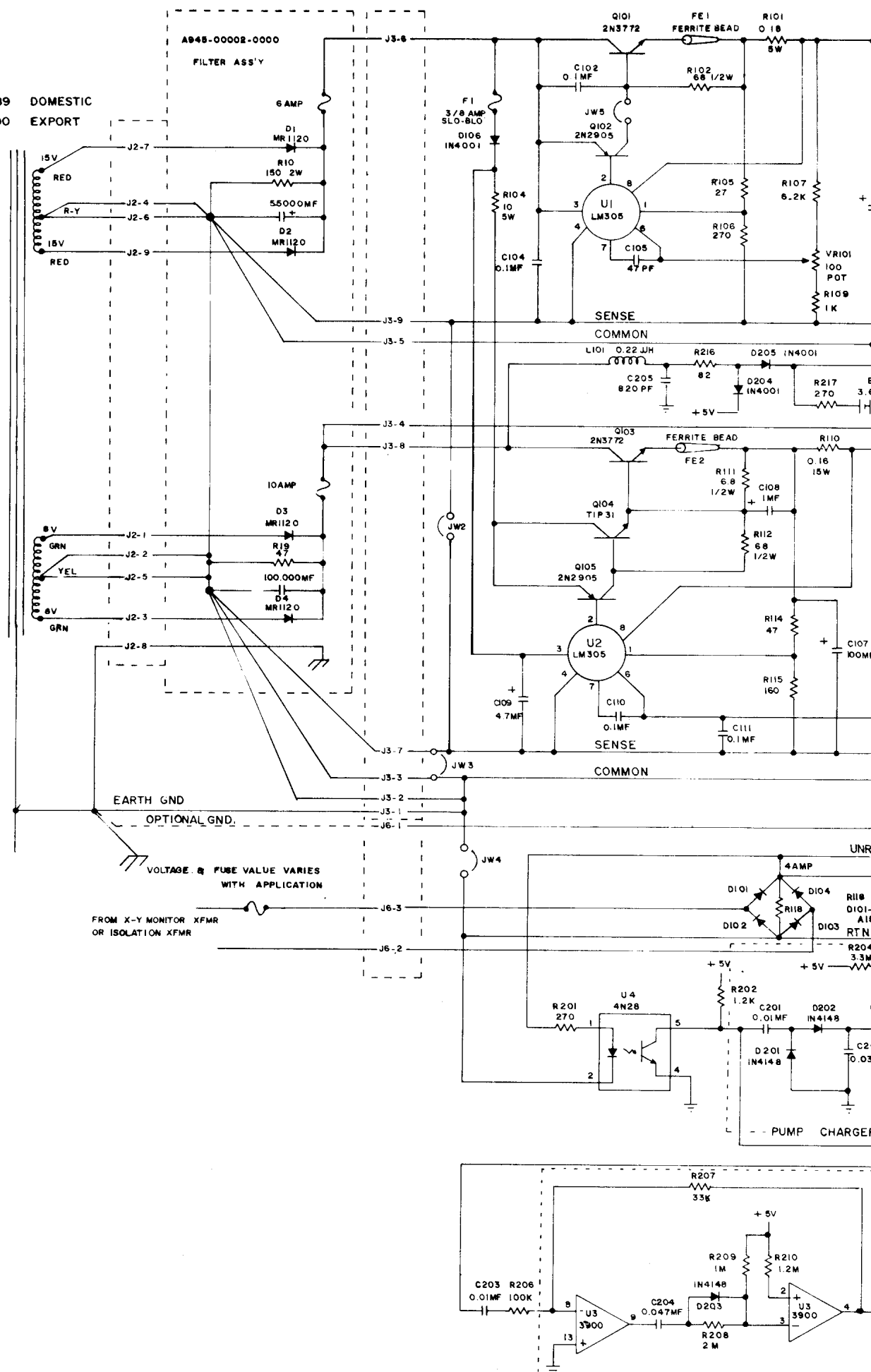
DESCRIPTION	Qty	DESIGNATION	PART
47pf AX CER	1	C105	0945 00811 0100
820pf AX CER	1	C205	0945 00816 0400
01uf AX CER	2	C206,208	0945 00816 0100
01uf MYLAR	2	C201,203	0945 00816 0200
033uf MYLAR	1	C207	0945 00816 0500
047uf MYLAR	1	C204	0945 00816 0300
0.082uf AX CER	1	C207	0945 00816-1900
1uf AX CER	5	C103,104,110,111, CPI	0945 00811 0200
1uf RAD TANT	1	C108	0945 00811 0300
4.7uf RAD TANT	1	C109	0945 00811 0400
100uf RAD TANT	1	C107	0945 00811 0500
470uf AX ELECT	2	C102,106	0945 00816-0600
470uf AX ELECT	1	C101	0945 00811 0700
16ohm 15W 5%	1	R110	0945 00815 0100
18ohm 5W 5%	1	R101	0945 00815 0200
6.8ohm 1/2W 5%	1	R111	0062 04703 1XXX
10ohm 5W 5%	1	R104	0945 00812 0100
27ohm 1/4W 5%	1	R105	0062-068B3-1XXX
47ohm 1/4W 5%	1	R114	0062 086B3 1XXX
68ohm 1/2W 5%	3	R102,112,219	0062 098D3 1XXX
82ohm 1W 10%	1	R216	0062 104F3 1XXX
150ohm 2W 5%	1	R118	0945 00812 0200
160ohm 1/4W 5%	1	R115	0062 124B3 1XXX
270ohm 1/4W 5%	3	R106,201,217	0062 138B3 1XXX
560ohm 1/4W 5%	1	R117	0062 162B3 1XXX
1K 1/4W 5%	1	R109	0062 179B3 1XXX
1.2K 1/4W 5%	3	R113,202,215	0062 183B3 1XXX
3.9K 1/4W 5%	1	R214	0062 207B3 1XXX
6.2K 1/4W 5%	1	R107	0062 217B3 1XXX
33K 1/4W 5%	1	R207	0062 251B3 1XXX
75K 1/4W 5%	2	R211,212	0062 269B3 1XXX
100K 1/4W 5%	1	R206	0062 275B3 1XXX
110K 1/4W 5%	1	R218	0062-277B3-1XXX
220K 1/4W 5%	1	R213	0062 291B3 1XXX
1M 1/4W 5%	1	R209	0062 321B3 1XXX
1.1M 1/4W 5%	1	R203	0062 315B3 1XXX
1.2M 1/4W 5%	1	R210	0062 327B3 1XXX
2M 1/4W 5%	1	R208	0062 337B3 1XXX
3.3M 1/4W 5%	1	R204	0062 347B3 1XXX
10M 1/4W 5%	1	R205	0062 371B3 1XXX
100ohm POT	2	VR101,102	0945 00814 0000
LM305 REG	2	U1,2	0945-00813-0100
555	1	U6	0929-00810-4500
LM3900	1	U3	0945 00813 0200
4N28	1	U4	0945 00813 0300
A15F RECTIFIER	5	D101 195	0945 00804 0200
1N4001	3	D106,204,205	0945 00804 0300
1N4148	3	D201 203	0945 00804 0500
2N2905	2	Q102,105	0945 00808 0300
2N4401	1	Q201	0945 00804 0400
BATTERY 3.6VDC 60DEG C	1	B101	0017 00003 0377
FUSE 3/8A 5 BLO	1	F1	0945 00808 0400
FUSE CLIP	2	FC1A,1B	0017-00003 0214
TIE WRAP	1	TW1	0945-00814 0300
FERRITE BEAD	2	FB1,2	0017-00009-0225
FERRITE MOUNTING HDW	2	FBMH1,2	0017 00033 0139
22uH INDUCTOR	1	L101	0945 00814 0200
FUSE TAG	1		M051 00945 A004
SYSTEM TAG	1		M051 00945 A009
P.C.B.	1		A080-90412-U000
HEAT SINK ASS'Y	1	HSA 1	A945-00008-0000
(SEE HS ASS'Y DRAWING " ** NOTE "			
* 4-40 X 10 SLT RND	2	MH HSA 1A, 2A,	0017-00101-00727
* 4-40 HEX NUT	2	MH HSA 1E, 2E,	0017-00103-0002
WSH 4-120-.250-018	4	MH HSA 1B, 1D MH HSA 2B, 2D	0017-00104-0071
3PIN P.C. MOUNT CONN (MALE)	1	J6	0017-00021-0443
9PIN P.C. MOUNT CONN (MALE)	1	J3	0017-00021-0425
15PIN P.C. MOUNT CONN (FEMALE)	1	J4	0017-00021-0441
15PIN P.C. MOUNT CONN (MALE)	1	J5	0017-00021-0440
22 AWG T & R BARE 2.5"	5	JW1-5	0151-00087-0000

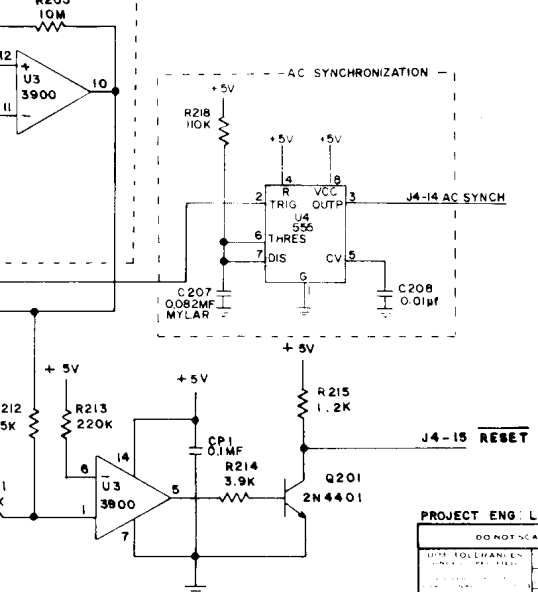
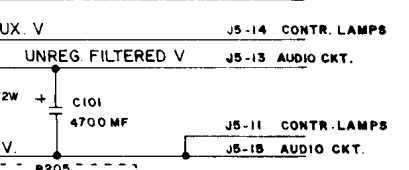
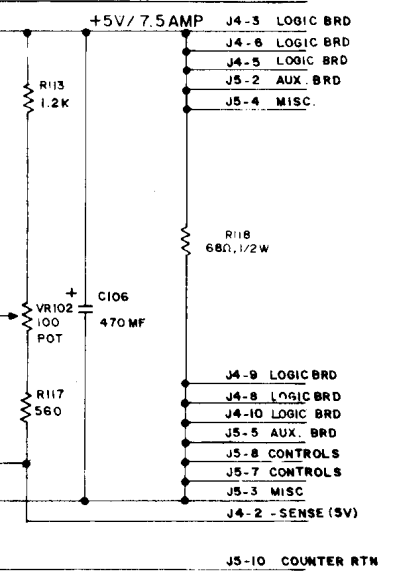
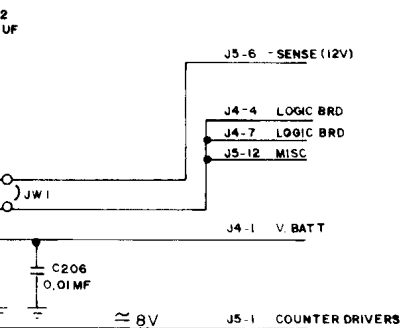
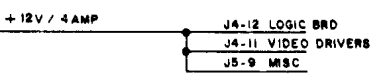
MIDWAY MFG. CO.

FRANKLIN, ILL.

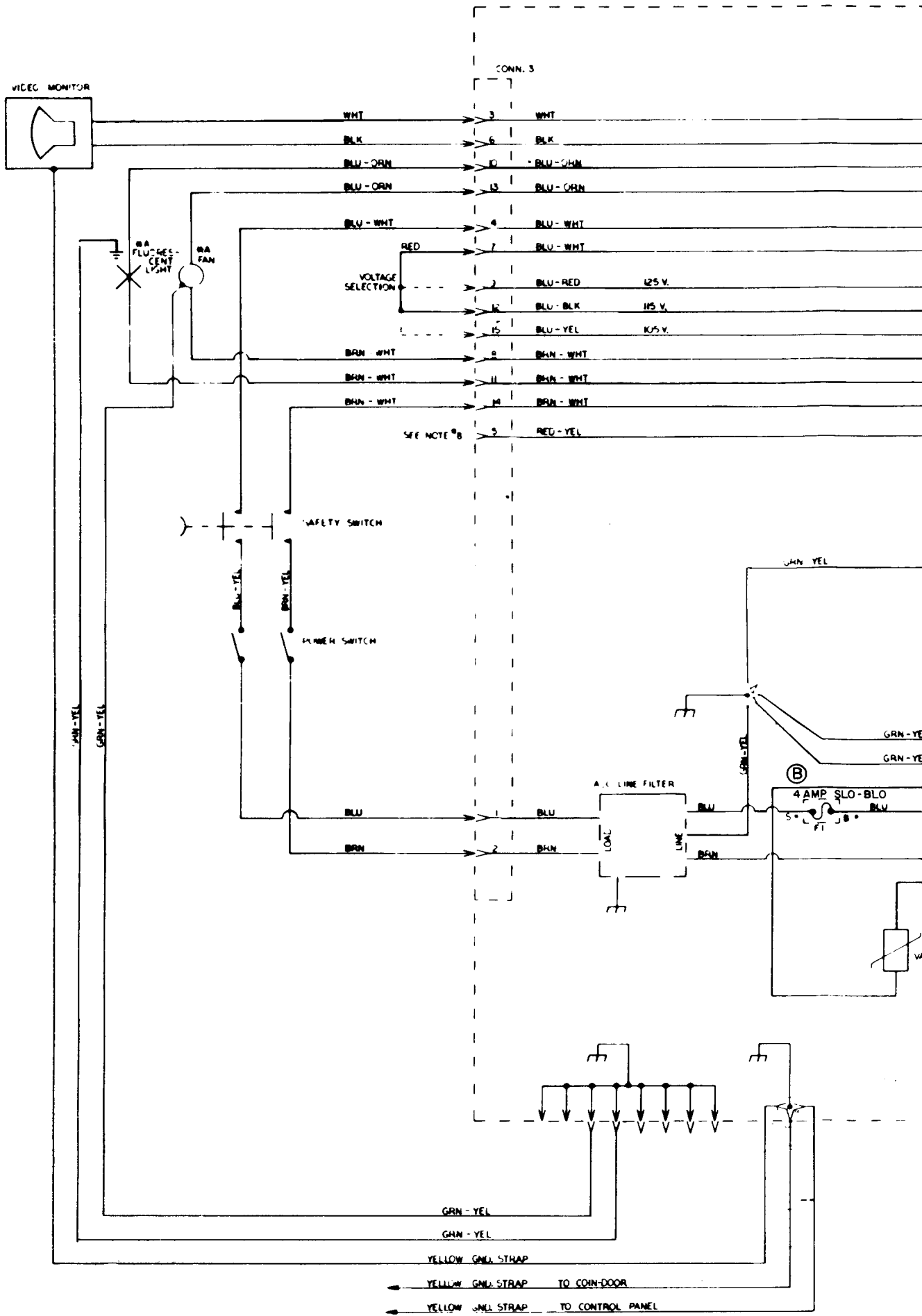
M051-00945-B006

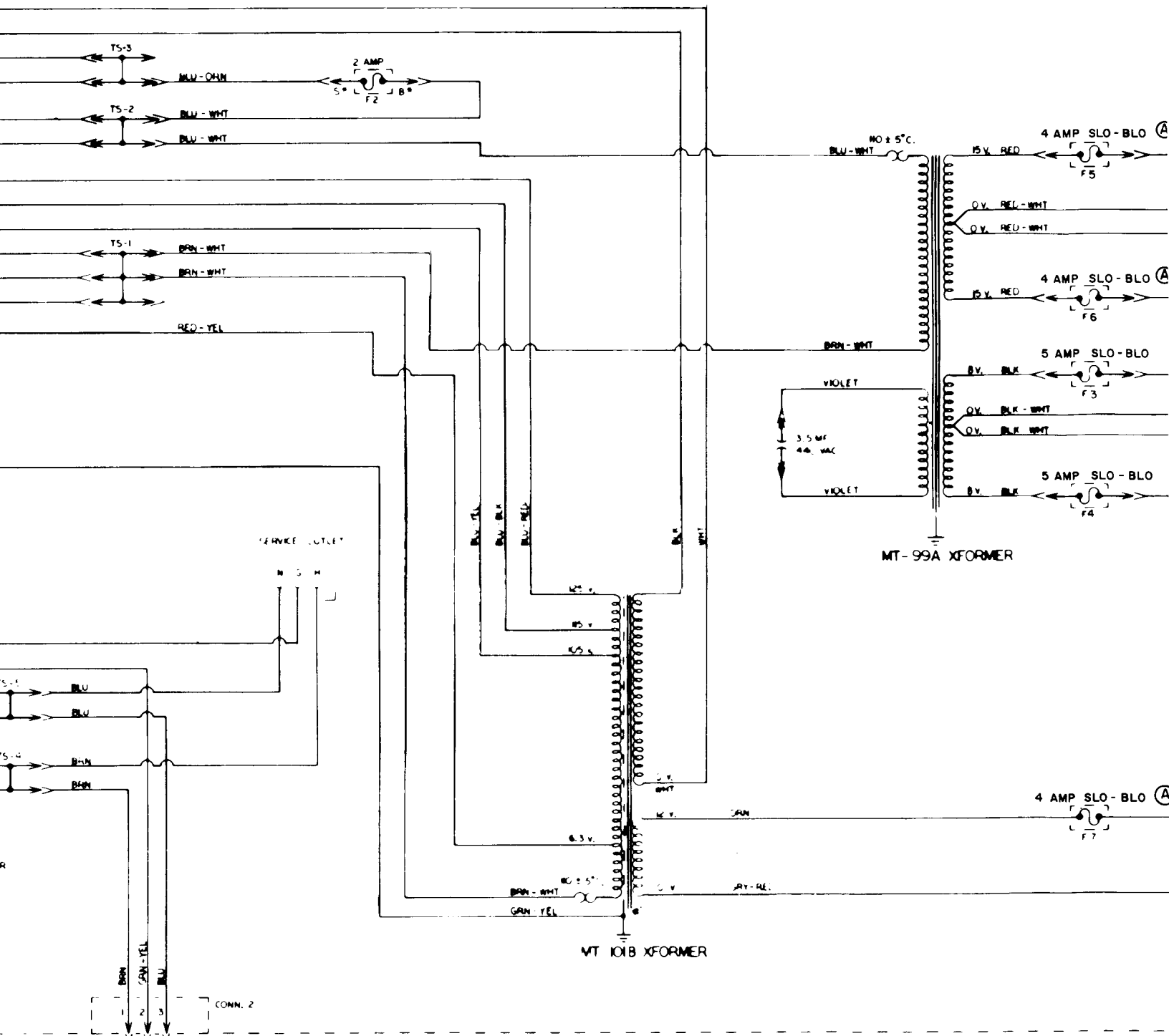
MT 89 DOMESTIC
MT 90 EXPORT





PROJECT ENG: L. DEKKER		USED BY: SATAN/WOCLOW		MIDWAY MFG. CO.	
DO NOT SCALE DRG		FULL		FRANKLIN, ILL.	
DATE: 5/3/82		POWER SUPPLY 125VA W/CKT SUPPORT A082-90412-D000		PART NO: M051-00945-D007	



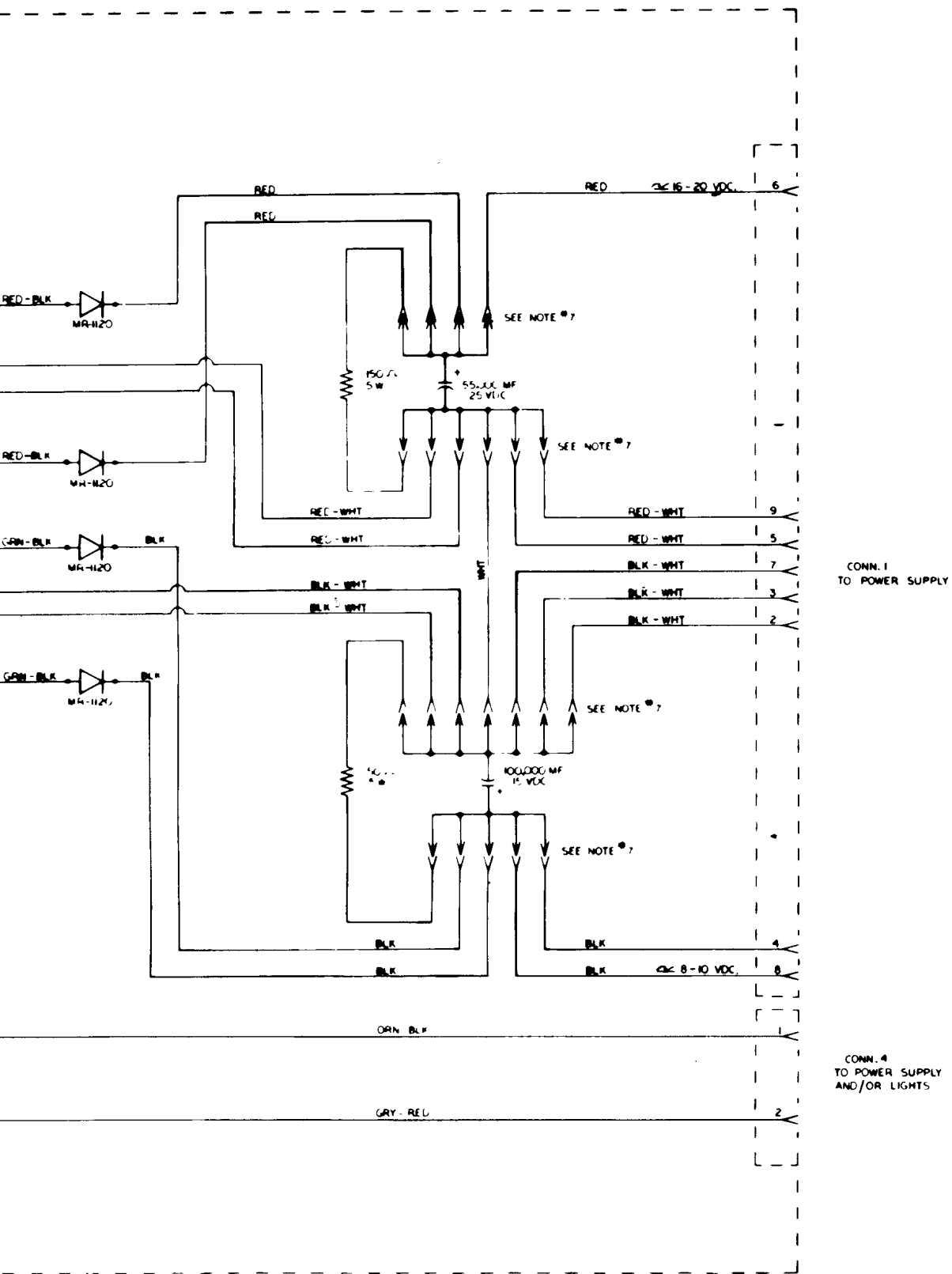


- NOTES:
1. A* = WHEN USED
 2. B* = BOTTOM TERMINAL
 3. S* = SIDE TERMINAL
 4. TS 1-5 = TERMINAL BARRIER STRIP POSITIONS
 5. * = CHASSIS EARTH GND.
 6. (---) = ALTERNATE COLOR
 7. TERMINATION ON CAPACITOR POST
 8. NOT AVAILABLE ON MT-101A

POWER CHASSIS #12
 115V. - 60Hz.
 PART NO. A945-000
 DWG. NO. M051-009

REV. (A)	INCREASED FUSE VALUES WAS 3 AMP - NOW 4 AMP ADDED PART NO. (UL)	MB 3-15-83
REV. (B)	INCREASED FUSE VALUE WAS 3AMP - NOW 4AMP	MB 3-24-83





5 VA
 20-0000
 45-B037

BALLY / MIDWAY
 10601 W. BELMONT AVE.
 FRANKLIN PARK, IL. 60131